

UGV Series Gauge Valve

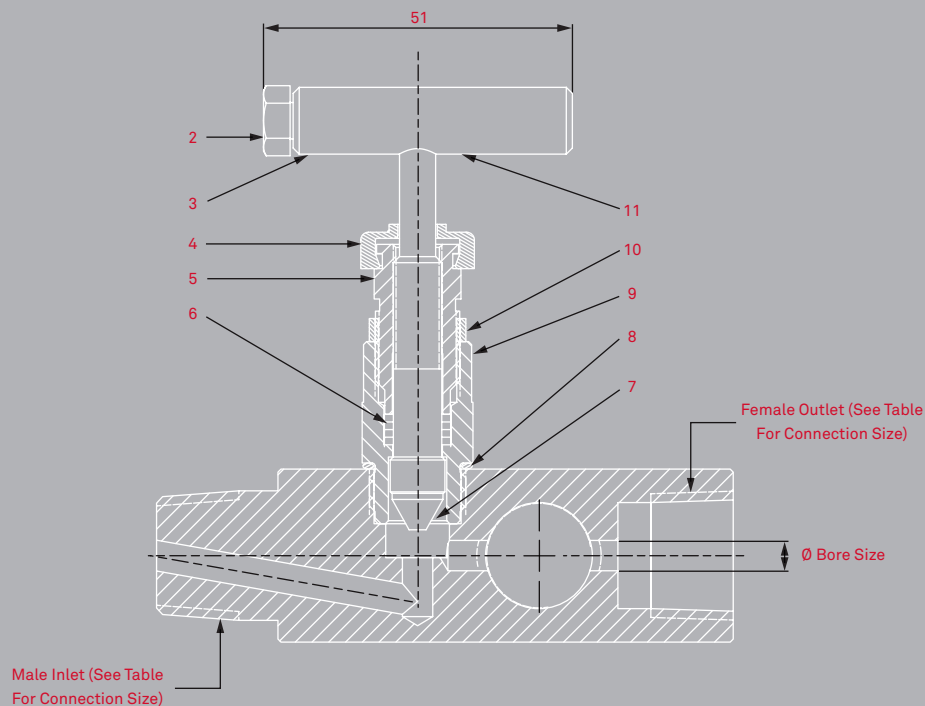
Overview

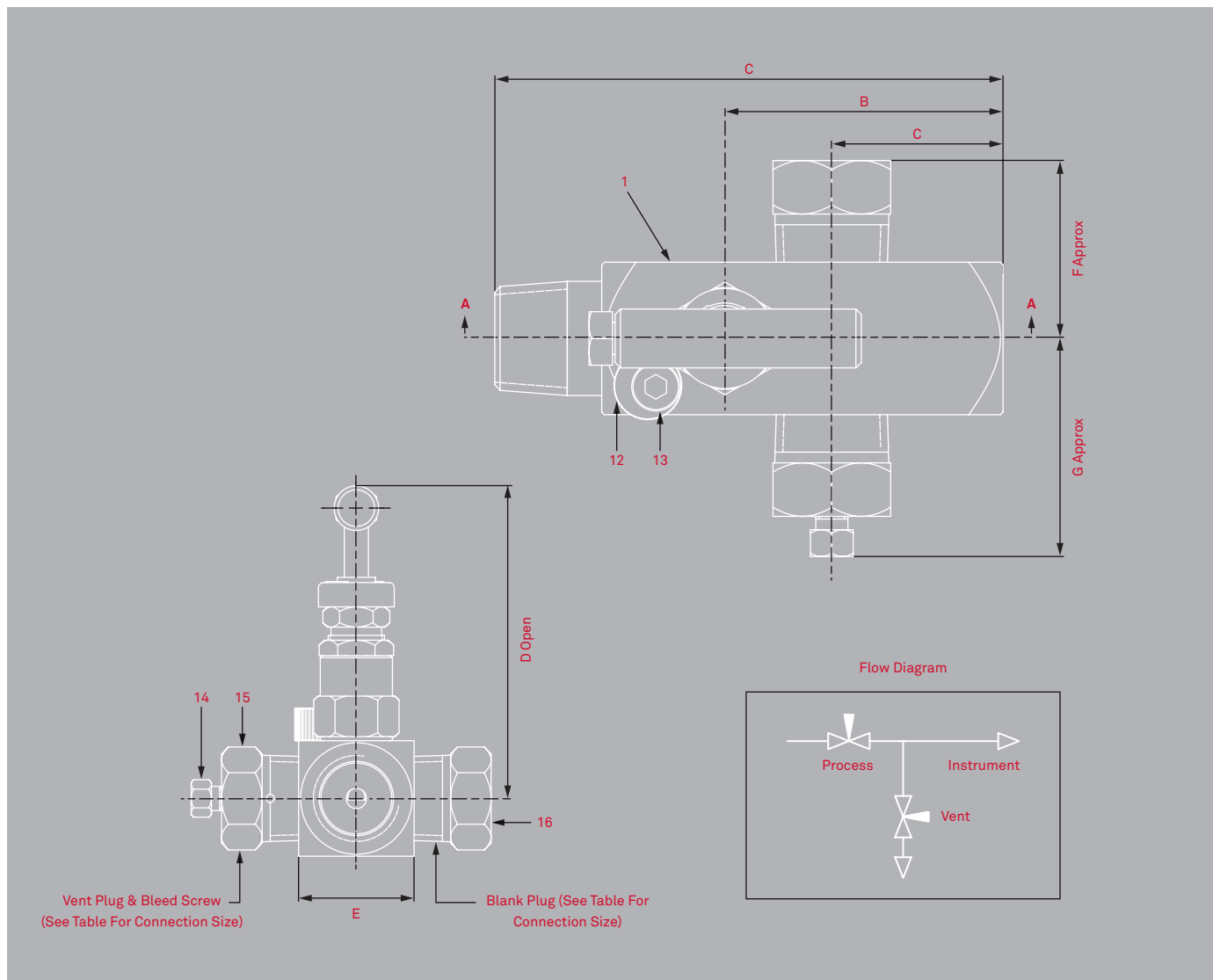
Multiport Gauge Valves 10,000 PSI

The GV series multiport gauge valve provides an economical method of mounting pressure gauges, manometers, pressure transducers or transmitters and includes vent and blanked port facilities or additional drains in a circuit or system. Both 1/2" and 3/4" have 1/2" side ports. Especially suited as a method of using a manometer and a sample manometer or a transmitter and manometer simultaneously.

Design Features

- 2 piece non-rotating hardened (17-4PH) tip for first time seal and long service life
- Positive no slack stem action
- Unique bonnet locking cam
- Metal to metal body bonnet seal for high pressure and high temperature sealing
- Pressure responsive multi-ring / piston packing for compression and pressure dynamic sealing
- Vent and blanking plugs
- Temperature range -40°C to 230°C
- Available in 316/316L
- Ingress seal fitted as standard to prevent crevice corrosion
- Repair/service kits available to extend service life further
- Full material traceability
- Materials of construction supplied to meet the requirements of NACE MR 0175





Item No.	Description	Material	Quantity
1	VALVE BODY	A479 UNS S31600	1
2	HANDLE BOLT	A4 ST/ST	1
3	"T" HANDLE	UNS S31600	1
4	ISOLATE DUST CAP	PVC	1
5	GLAND ADJUSTER	UNS S31600	1
6	PACKING	RTFE	4
7	VALVE TIP	A564 UNS S17400	1
8	INGRESS SEAL	VITON	1
9	BONNET HOUSING	A479 UNS S31600	1
10	GLAND LOCKNUT	UNS S31600	1
11	NEEDLE STEM	A479 UNS S31600	1
12	LOCKING CAM	UNS S31600	1
13	CAM SCREW	A4 ST/ST	1
14	VENT PLUG NEEDLE	A479 UNS S31600	1
15	VENTING PLUG	A479 UNS S31600	1
16	BLANK PLUG	A479 UNS S31600	1

Components Key

Part no.	Inlet size	Outlet size	A	B	Bore	C	D	E	F	G	CV	Weight	Vent size
UGV4NS-VP-BP	1/2" NPT	1/2" NPT	95	52	5	32	77	29	33	41	0.7	0.71 Kg	1/2" NPT
UGV4NS-16MN-VP-BP	3/4" NPT	1/2" NPT	95	60	5	35	79	32	35	42	0.7	0.83 Kg	1/2" NPT

Dimensions shown are in metric mm