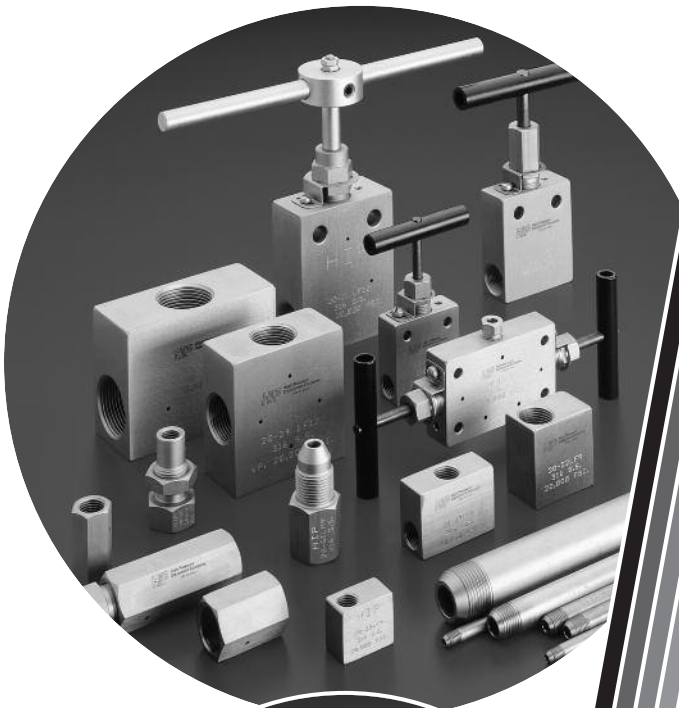


# **High Pressure Equipment Company**



**Price List**  
**Effective**  
**November 1, 2012**



**ISO 9001**  
CERTIFIED

[www.highpressure.com](http://www.highpressure.com)  
e-mail: [sales@highpressure.com](mailto:sales@highpressure.com)



**Standard Terms**

F.O.B. — Erie, PA

Cash Terms: Net 30 Days

Credit Cards accepted

1% interest per month to be charged on all past due accounts.

High Pressure Equipment Company reserves the right to change any of the prices shown in this list, without notice.

Not all available spare parts are shown in this price list. If you are unable to locate a given part, please contact our customer service department.

**Quantity Discounts**

1-10	.....Net
11-49	.....Less 5%
50-99	.....Less 10%
100 +	.....Consult factory

**Connection Components**

All VALVES AND FITTINGS (except nipples) include necessary Glands and Collars (sleeves) where applicable. When Glands and Collars are not required, specify on order and deduct the following amounts *per opening*:

AF1	..... \$4.00	LF4	..... \$4.00	HF2	..... \$4.00	XF4	..... \$4.00
AF2	..... 4.00	LF6	..... 5.00	HF4	..... 4.00	XF6	..... 6.00
AF4	..... 5.00	LF9	..... 6.00	HF6	..... 5.00		
AF6	..... 5.00	LF12	..... 10.00	HF9	..... 6.00		
		LF16	..... 16.00	HF16	..... 16.00		

**Tubing**

1/16" O.D. and 1/8" O.D. tubing can be coiled for shipment. All other sizes must be shipped straight. When ordering please note the following limitations and advise lengths desired:

U.P.S./Air Parcel Post/Federal Express	..... 8 foot limit
Air Freight/Air Express	..... 10 foot limit
Motor Freight	..... No limit

**Coning and Threading Charge**

1/8" to 9/16" Tubing	..... \$10.00/end
3/4" and 1" Tubing	..... 24.00/end

**Autofrettage Charge**

\$ 34.00 per end includes coning and threading

**Certifications**

Note: Price includes shipment via first class mail. Other certifications available upon request. Consult factory for price information and availability.

Chemical & Physical Test Reports	..... \$18.00
Certificate of Test	..... 18.00
Certificate of Conformance	..... 18.00
Tubing Specification	..... 18.00
SGS Certificate	..... 18.00

## Low Pressure Valves, Fittings & Tubing

### Taper Seal Valves (Catalog Page 2.3)

15-11AF1	.....	\$109.00
15-11AF2	.....	110.00
10-11AF4	.....	113.00
10-11AF6	.....	121.00
15-12AF1	.....	\$110.00
15-12AF2	.....	111.00
10-12AF4	.....	116.00
10-12AF6	.....	121.00
15-13AF1	.....	\$118.00
15-13AF2	.....	139.00
10-13AF4	.....	143.00
10-13AF6	.....	147.00
15-14AF1	.....	\$118.00
15-14AF2	.....	136.00
10-14AF4	.....	142.00
10-14AF6	.....	147.00
15-15AF1	.....	\$207.00
15-15AF2	.....	210.00
10-15AF4	.....	213.00
10-15AF6	.....	224.00

### Taper Seal Fittings (Catalog Page 2.4)

#### Elbows

15-22AF1	.....	\$36.90
15-22AF2	.....	38.60
10-22AF4	.....	50.70
10-22AF6	.....	56.50

#### Tees

15-23AF1	.....	\$46.90
15-23AF2	.....	49.70
10-23AF4	.....	65.30
10-23AF6	.....	71.80

#### Crosses

15-24AF1	.....	\$59.70
15-24AF2	.....	62.40
10-24AF4	.....	78.00
10-24AF6	.....	87.80

### Taper Seal Bulkhead Couplings

15-21AF1-B	.....	\$66.60
15-21AF2-B	.....	69.50
10-21AF4-B	.....	76.50
10-21AF6-B	.....	79.40

### Taper Seal Caps

15-21AF1-C	.....	\$22.80
15-21AF2-C	.....	22.90
10-21AF4-C	.....	23.50
10-21AF6-C	.....	25.20

### Taper Seal Line Filters (Catalog Page 2.5)

15-51AF1	.....	\$153.00
15-51AF2	.....	153.00
10-51AF4	.....	183.00
10-51AF6	.....	190.00

### Taper Seal Ball Check Valves (Catalog Page 2.5)

15-41AF1	.....	\$110.00
15-41AF2	.....	109.00
10-41AF4	.....	113.00
10-41AF6	.....	123.00

### Taper Seal Soft Seat Check Valves (Catalog Page 2.5)

15-41AF1-T	.....	\$123.00
15-41AF2-T	.....	124.00
10-41AF4-T	.....	121.00
10-41AF6-T	.....	127.00

### Taper Seal Safety Heads (Catalog Page 2.6)

10-61AM4	.....	\$102.00
10-61AM6	.....	104.00
15-63AF1	.....	\$147.00
15-63AF2	.....	149.00
10-63AF4	.....	154.00
10-63AF6	.....	156.00
15-61AF1	.....	\$125.00
15-61AF2	.....	126.00
10-61AF4	.....	127.00
10-61AF6	.....	132.00

### Taper Seal Rupture Discs (Catalog Page 2.7)

1,500 to 5,000 psi	.....	\$35.80
5,500 to 15,000 psi	.....	46.70

### Taper Seal Connection Components (Catalog Page 2.A)

<b>Glands</b>	<b>316 S.S.</b>	
15-2AM1	.....	\$5.30
15-2AM2	.....	5.90
10-2AM4	.....	6.80
10-2AM6	.....	7.50

<b>Sleeves</b>	<b>316 S.S.</b>	
15-2A1	.....	\$3.20
15-2A2	.....	4.20
10-2A4	.....	5.10
10-2A6	.....	6.70

<b>Plugs</b>	<b>316 S.S.</b>	
15-7AM1	.....	\$4.80
15-7AM2	.....	6.00
10-7AM4	.....	7.00
10-7AM6	.....	7.50

### Pipe Connection Valves (Catalog Page 2.11)

10-11NFA	.....	\$103.00
10-11NFB	.....	103.00
10-11NFC	.....	104.00
10-11NFD	.....	160.00
10-12NFA	.....	104.00
10-12NFB	.....	104.00
10-12NFC	.....	105.00
10-12NFD	.....	162.00

### Pipe Connection Valves (Catalog Page 2.12)

15F-11NFA	.....	\$101.00
15F-11NFB	.....	101.00
15F-11NFC	.....	101.00
15F-11NFD	.....	156.00
10F-11NFF	.....	685.00
10F-11NFH	.....	913.00
15F-12NFA	.....	101.00
15F-12NFB	.....	101.00
15F-12NFC	.....	101.00
15F-12NFD	.....	159.00
10F-12NFF	.....	695.00
10F-12NFH	.....	914.00

### NPT Fittings

#### Elbows

#### (Catalog Page 2.13-2.16)

15-22NFA 1/8" NPT	.....	\$44.10
15-22NFB 1/4" NPT	.....	44.10
15-22NFC 3/8" NPT	.....	44.10
15-22NFD 1/2" NPT	.....	49.70
10-22NFF	.....	121.00
10-22NFH	.....	198.00

#### Tees

15-23NFA 1/8" NPT	.....	\$62.60
15-23NFB 1/4" NPT	.....	66.90
15-23NFC 3/8" NPT	.....	66.90

(Continued on page 4)

### Taper Seal Tubing (Catalog Page 2.7)

Size	Material	Catalog No.	Price/Foot 0-75 Feet	Price/Foot 76-150 Feet	Price/Foot 151-500 Feet	Price/Foot 501-1000 Feet
1/16" O.D. x 0.006" I.D.	316 S.S.	15-9A1-006	<b>\$6.35</b>	<b>\$5.80</b>	<b>\$5.35</b>	<b>\$5.15</b>
1/16" O.D. x 0.030" I.D.	316 S.S.	15-9A1-030	<b>5.95</b>	<b>5.65</b>	<b>5.30</b>	<b>4.95</b>
1/8" O.D. x 0.060" I.D.	316 S.S.	15-9A2	<b>6.40</b>	<b>6.00</b>	<b>5.70</b>	<b>5.40</b>
1/8" O.D. x 0.060" I.D.	Hastelloy-C	15-9A2-HC276	<b>27.00</b>	<b>25.50</b>	<b>22.00</b>	<b>20.00</b>
1/4" O.D. x 1/8" I.D.	316 S.S.	10-9A4-316	<b>11.55</b>	<b>11.00</b>	<b>10.50</b>	<b>10.05</b>
1/4" O.D. x 1/8" I.D.	304 S.S.	10-9A4-304	<b>9.80</b>	<b>9.25</b>	<b>8.80</b>	<b>8.35</b>
3/8" O.D. x 1/4" I.D.	316 S.S.	10-9A6-316	<b>16.60</b>	<b>15.80</b>	<b>15.05</b>	<b>14.70</b>



### Tees

15-23NFD 1/2" NPT	\$66.90
10-23NFF	160.00
10-23NFH	225.00

### Crosses

15-24NFA 1/8" NPT	\$69.80
15-24NFB 1/4" NPT	69.80
15-24NFC 3/8" NPT	69.80
15-24NFD 1/2" NPT	77.40
10-24NFF 3/4" NPT	207.00
10-24NFH 1" NPT	310.00

### Couplings

15-21NFA 1/8" NPT	\$49.70
15-21NFB 1/4" NPT	49.70
15-21NFC 3/8" NPT	49.70
15-21NFD 1/2" NPT	62.40
10-21NFF 3/4" NPT	108.00
10-21NFH 1" NPT	111.00

### Line Filters

15-51NFB 1/4" NPT	\$157.00
15-51NFC 3/8" NPT	157.00
15-51NFD 1/2" NPT	188.00

### Ball Check Valves

15-41NFB 1/4" NPT	\$142.00
15-41NFC 3/8" NPT	142.00
15-41NFD 1/2" NPT	170.00
10-41NFF 3/4" NPT	383.00
10-41NFH 1" NPT	553.00

### Soft Seat Check Valves

15-41NFB-T 1/4" NPT	\$145.00
15-41NFC-T 3/8" NPT	145.00
15-41NFD-T 1/2" NPT	147.00
10-41NFF-T 3/4" NPT	395.00
10-41NFH-T 1" NPT	628.00

### Safety Heads

15-61NMA 1/8" Male NPT	\$111.00
15-61NMB 1/4" Male NPT	111.00
15-61NMC 3/8" Male NPT	111.00
15-61NMD 1/2" Male NPT	133.00

### Hex Nipples

15-21NMANMA 1/8" Male NPT	\$42.90
15-21NMBNMB 1/4" Male NPT	42.90
15-21NMCNMC 3/8" Male NPT	42.90
15-21NMDNMD 1/2" Male NPT	42.90
10-21NMFNMF Male NPT	70.00
10-21NMHNMH Male NPT	110.00

## Medium Pressure Valves, Fittings & Tubing

### Medium Pressure Valves (Catalog Page 3.3)

20-11LF4	\$117.00
20-11LF6	128.00
20-11LF9	171.00
20-11LF12	715.00
20-11LF16	1,012.00
10-11LF16	1,028.00
10-11LF12	716.00
20-12LF4	119.00
20-12LF6	134.00
20-12LF9	171.00
20-12LF12	774.00
20-12LF16	1,062.00
10-12LF12	765.00
10-12LF16	1,064.00
20-13LF4	147.00
20-13LF6	156.00
20-13LF9	213.00
20-13LF12	844.00
20-13LF16	1,126.00
10-13LF12	854.00
10-13LF16	1,146.00
20-14LF4	156.00
20-14LF6	171.00
20-14LF9	221.00
20-14LF12	863.00
20-14LF16	1,154.00
10-14LF12	873.00
10-14LF16	1,172.00
20-15LF4	247.00
20-15LF6	265.00
20-15LF9	324.00
20-15LF12	1,622.00
20-15LF16	1,978.00
10-15LF12	1,696.00
10-15LF16	1,895.00
20-12LF4-R	228.00
20-12LF6-R	252.00
20-12LF9-R	304.00
20-12LF12-R	1,023.00
20-12LF16-R	1,231.00
10-12LF12-R	1,267.00
10-12LF16-R	1,287.00

### Medium Pressure Fittings (Catalog Page 3.4)

#### Elbows

20-22LF4	\$33.60
20-22LF6	43.80
20-22LF9	55.20
20-22LF12	121.00
20-22LF16	211.00

#### Tees

20-23LF4	\$44.10
20-23LF6	51.10
20-23LF9	74.90
20-23LF12	163.00
20-23LF16	249.00

#### Crosses

20-24LF4	\$54.20
20-24LF6	60.90
20-24LF9	95.10
20-24LF12	221.00
20-24LF16	338.00

### Medium Pressure Union Couplings (Catalog Page 3.5)

20-21LF4-U	\$55.10
20-21LF6-U	61.00
20-21LF9-U	82.00
20-21LF12-U	143.00
20-21LF16-U	195.00

### Medium Pressure Bulkhead Couplings (Catalog Page 3.5)

20-21LF4-B	\$79.50
20-21LF6-B	96.90
20-21LF9-B	126.00
20-21LF12-B	253.00
20-21LF16-B	370.00

### Medium Pressure Caps (Catalog Page 3.5)

20-21LF4-C	\$30.10
20-21LF6-C	32.80
20-21LF9-C	41.30
20-21LF12-C	59.70
20-21LF16-C	79.40

### Medium Pressure Line Filters (Catalog Page 3.6)

20-51LF4	\$170.00
20-51LF6	181.00
20-51LF9	281.00

### Medium Pressure Tubing (Catalog Page 3.9)

Size	Material	Catalog No.	Price/Foot 0-75 Feet	Price/Foot 76-150 Feet	Price/Foot 151-500 Feet	Price/Foot 501-1000 Feet
1/4" O.D. x 0.109" I.D.	316 S.S.	20-9M4-316	\$12.65	\$11.70	\$10.90	\$10.30
3/8" O.D. x 0.203" I.D.	316 S.S.	20-9M6-316	15.40	14.50	13.55	12.90
9/16" O.D. x 0.312" I.D.	304 S.S.	20-9M9-304	18.40	16.90	16.70	15.60
9/16" O.D. x 0.359" I.D.	316 S.S.	10-9M9-316	26.30	25.40	24.45	22.60
9/16" O.D. x 0.312" I.D.	316 S.S.	20-9M9-316	24.35	23.15	21.80	21.00
3/4" O.D. x 0.516" I.D.	316 S.S.	10-9M12-316	34.00	32.00	31.00	27.00
3/4" O.D. x 0.438" I.D.	316 S.S.	20-9M12-316	35.50	33.50	31.50	30.00
1" O.D. x 0.688" I.D.	316 S.S.	10-9M16-316	51.00	49.00	47.00	45.00
1" O.D. x 0.562" I.D.	316 S.S.	20-9M16-316	57.00	55.00	53.00	51.00

**Medium Pressure Ball Check Valves  
(Catalog Page 3.6)**

20-41LF4	\$111.00
20-41LF6	117.00
20-41LF9	159.00
20-41LF12	451.00
20-41LF16	718.00
10-41LF16	635.00

**Medium Pressure Soft Seat  
Check Valves  
(Catalog Page 3.6)**

20-41LF4-T	\$119.00
20-41LF6-T	127.00
20-41LF9-T	157.00
20-41LF12-T	449.00
20-41LF16-T	688.00
10-41LF16-T	635.00

**Medium Pressure Safety Heads  
(Catalog Page 3.7)**

20-61LM4	\$98.40
20-61LM6	103.00
20-61LM9	113.00
20-61LM12	243.00
20-61LM16	262.00

**Medium Pressure Rupture Discs  
(Catalog Page 3.7)**

1,500 to 5,000 psi	\$35.80
5,500 to 20,000 psi	46.70

**Medium Pressure Anti-Vibration  
Gland Assembly  
(Catalog Page 3.8)**

20-3LM4	\$42.70
20-3LM6	46.90
20-3LM9	56.40
20-3LM12	65.30
20-3LM16	108.00

**Component Parts  
Slotted Collet**

2-8769	\$12.30
2-8772	12.30
2-8775	27.70
2-8778	28.50
2-8781	59.00

**Collet Gland**

2-8770	\$16.60
2-8773	17.20
2-8776	12.30
2-8779	17.20
2-8782	21.10

**Collet Body**

2-8768	\$24.90
2-8771	21.10
2-8774	30.50
2-8777	34.70
2-8780	49.00

**Medium Pressure Nipples (316 S.S.)  
(Catalog Page 3.9)**

20-LM4-2.75	\$11.10
20-LM4-6	14.80
20-LM4-8	16.70
20-LM4-10	18.90
20-LM4-12	22.60

20-LM6-3	\$14.80
20-LM6-6	19.60
20-LM6-8	22.80
20-LM6-10	25.60
20-LM6-12	29.90
20-LM9-4	22.90
20-LM9-6	29.10
20-LM9-8	34.20
20-LM9-10	39.50
20-LM9-12	45.20
10-LM12-4	34.20
10-LM12-6	35.70
10-LM12-8	48.20
10-LM12-10	53.90
10-LM12-12	62.40
20-LM12-4	35.70
20-LM12-6	39.00
20-LM12-8	51.00
20-LM12-10	63.90
20-LM12-12	66.60
10-LM16-6	52.60
10-LM16-8	59.70
10-LM16-10	68.10
10-LM16-12	78.00
20-LM16-6	59.70
20-LM16-8	66.60
20-LM16-10	78.00
20-LM16-12	89.40

**Medium Pressure  
Connection Components  
(Catalog Page 3.A)**

<b>Glands</b>	<b>316 S.S.</b>
20-2LM4	\$4.60
20-2LM6	6.40
20-2LM9	9.60
20-2LM12	14.80
20-2LM16	23.90

<b>Collars</b>	<b>316 S.S.</b>
20-2L4	\$3.30
20-2L6	3.90
20-2L9	6.40
20-2L12	7.30
20-2L16	13.30

<b>Plugs</b>	<b>316 S.S.</b>
20-7LM4	\$6.70
20-7LM6	7.90
20-7LM9	11.70
20-7LM12	18.00
20-7LM16	32.80

**High Pressure  
Valves, Fittings  
& Tubing**

**High Pressure Valves  
(Catalog Page 4.3)**

30-11HF2	\$122.00
30-11HF4	112.00
30-11HF6	127.00
30-11HF9	170.00

30-11HF16	\$1,140.00
40-11HF9	193.00
30-12HF2	124.00
30-12HF4	112.00
30-12HF6	127.00
30-12HF9	170.00
30-12HF16	1,195.00
40-12HF9	193.00
30-13HF2	156.00
30-13HF4	134.00
30-13HF6	176.00
30-13HF9	235.00
30-13HF16	1,326.00
40-13HF9	267.00
30-14HF2	157.00
30-14HF4	135.00
30-14HF6	178.00
30-14HF9	236.00
30-14HF16	1,326.00
40-14HF9	268.00
30-15HF2	211.00
30-15HF4	188.00
30-15HF6	293.00
30-15HF9	303.00
30-15HF16	2,335.00
40-15HF9	390.00
30-12HF2-R	189.00
30-12HF4-R	195.00
30-12HF6-R	236.00
30-12HF9-R	289.00
30-12HF16-R	1,466.00
40-12HF9-R	341.00

**High Pressure Valves  
(Catalog Page 4.5)**

60-11HF2	\$152.00
60-11HF4	136.00
60-11HF6	155.00
60-11HF9	189.00
60-12HF2	152.00
60-12HF4	138.00
60-12HF6	157.00
60-12HF9	190.00
60-13HF2	170.00
60-13HF4	162.00
60-13HF6	199.00
60-13HF9	253.00
60-14HF2	171.00
60-14HF4	167.00
60-14HF6	199.00
60-14HF9	255.00
60-15HF2	256.00
60-15HF4	255.00
60-15HF6	303.00
60-15HF9	375.00
60-12HF2-R	210.00
60-12HF4-R	226.00
60-12HF6-R	255.00
60-12HF9-R	332.00



## High Pressure Fittings (Catalog Page 4.6)

### Elbows

60-22HF2	\$45.40
60-22HF4	38.70
60-22HF6	53.90
60-22HF9	76.50
40-22HF9	79.40
30-22HF16	236.00

### Tees

60-23HF2	\$58.20
60-23HF4	55.20
60-23HF6	65.50
60-23HF9	101.00
40-23HF9	102.00
30-23HF16	284.00

### Crosses

60-24HF2	\$72.20
60-24HF4	62.30
60-24HF6	80.50
60-24HF9	119.00
40-24HF9	122.00
30-24HF16	403.00

## High Pressure Union Couplings (Catalog Page 4.7)

60-21HF2-U	\$75.20
60-21HF4-U	62.40
60-21HF6-U	75.20
60-21HF9-U	99.10
40-21HF9-U	102.00
30-21HF16-U	243.00

## High Pressure Bulkhead Couplings (Catalog Page 4.7)

60-21HF2-B	\$97.80
60-21HF4-B	69.50
60-21HF6-B	86.50
60-21HF9-B	112.00
40-21HF9-B	119.00
30-21HF16-B	423.00

## High Pressure Caps (Catalog Page 4.7)

60-21HF2-C	\$28.50
60-21HF4-C	31.20
60-21HF6-C	48.20
60-21HF9-C	52.60

## High Pressure Tubing (Catalog Page 4.12)

Size	Material	Catalog No.	Price/Foot 0-75 Feet	Price/Foot 76-150 Feet	Price/Foot 151-500 Feet	Price/Foot 501-1000 Feet
1/8" O.D. x .020" I.D.	316 S.S.	60-9H2	\$8.70	\$8.40	\$7.95	\$7.60
1/8" O.D. x .040" I.D.	316 S.S.	30-9H2	8.45	8.10	7.55	7.20
1/4" O.D. x .083" I.D.	316 S.S.	60-9H4-316	12.40	11.00	10.40	10.00
1/4" O.D. x .083" I.D.	304 S.S.	60-9H4-304	9.60	9.30	8.95	8.50
1/4" O.D. x .083" I.D.	HC276	60-9H4-HC276	48.00	46.00	44.00	42.00
3/8" O.D. x 1/8" I.D.	316 S.S.	60-9H6-316	18.10	17.40	16.70	16.40
3/8" O.D. x 1/8" I.D.	304 S.S.	60-9H6-304	13.70	13.10	12.55	12.00
9/16" O.D. x 1/4" I.D.	316 S.S.	40-9H9-316	25.80	24.10	23.00	22.15
9/16" O.D. x 1/4" I.D.	304 S.S.	40-9H9-304	22.00	20.80	20.00	18.90
9/16" O.D. x 3/16" I.D.	316 S.S.	60-9H9-316	32.60	30.70	28.90	26.75
9/16" O.D. x 3/16" I.D.	304 S.S.	60-9H9-304	23.00	20.95	20.00	19.05
1" O.D. x .437" I.D.	316 S.S.	30-9H16-316	58.00	56.00	53.00	49.00

40-21HF9-C	\$55.40
30-21HF16-C	76.50

## High Pressure Line Filters (Catalog Page 4.8)

60F-51HF2	\$171.00
60F-51HF4	169.00
60F-51HF6	181.00
60F-51HF9	234.00
40-51HF9	239.00

## High Pressure Ball Check Valves (Catalog Page 4.8)

60-41HF2	\$124.00
60-41HF4	117.00
60-41HF6	149.00
60-41HF9	181.00
40-41HF9	185.00
30-41HF16	749.00

## High Pressure Soft Seat Check Valves (Catalog Page 4.8)

30-41HF2-T	\$133.00
30-41HF4-T	119.00
30-41HF6-T	135.00
30-41HF9-T	159.00
60-41HF4-T	142.00
60-41HF6-T	157.00
60-41HF9-T	189.00
40-41HF9-T	195.00
30-41HF16-T	758.00

## High Pressure Excess Surge Check Valves (Catalog Page 4.9)

60-41HF9-E	\$206.00
Bushing 2-0888	48.80

## High Pressure Rupture Discs (Catalog Page 4.9)

1,500 to 5,000 psi	\$35.80
5,500 to 65,000 psi	46.70

## High Pressure Safety Heads (Catalog Page 4.10)

60-61HM4	\$99.90
60-61HM6	99.90
60-61HM9	119.00
40-61HM9	121.00
30-61HM16	281.00

60-63HF2	\$148.00
60-63HF4	148.00
60-63HF6	149.00
60-63HF9	172.00
40-63HF9	178.00
60-61HF2	124.00
60-61HF4	124.00
60-61HF6	125.00
60-61HF9	153.00
40-61HF9	155.00

## High Pressure Anti-Vibration (Catalog Page 4.11)

### Gland Assembly

60-3HM4	\$18.50
60-3HM6	17.50
60-3HM9	26.40

### Component Parts Slotted Collet

2-8784	\$12.90
2-8786	10.40
2-8788	10.80

### Collet Gland

2-8783	\$10.20
2-8785	14.60
2-8787	15.70

### Collar

60-2H4	\$3.20
60-2H6	4.00
60-2H9	6.00

## High Pressure Nipples (316 S.S.) (Catalog Page 4.12)

60-HM2-2	\$9.50
60-HM2-3	10.30
60-HM2-4	11.30
60-HM2-6	13.30
60-HM2-9	15.30
60-HM2-12	17.50
30-HM2-2	9.50
30-HM2-3	10.30
30-HM2-4	11.30
30-HM2-6	13.30
30-HM2-9	15.30
30-HM2-12	17.20
60-HM4-2.75	11.20
60-HM4-6	15.30

60-HM4-8	\$17.50
60-HM4-10	20.90
60-HM4-12	24.50
60-HM6-3	15.10
60-HM6-6	20.80
60-HM6-8	23.70
60-HM6-10	26.40
60-HM6-12	30.10
60-HM9-4	23.70
60-HM9-6	30.70
60-HM9-8	33.60
60-HM9-10	40.00
60-HM9-12	46.90
40-HM9-4	25.60
40-HM9-6	31.20
40-HM9-8	36.90
40-HM9-10	42.50
40-HM9-12	48.20
30-HM16-6	60.90
30-HM16-8	69.50
30-HM16-10	78.00
30-HM16-12	92.10

**High Pressure Nipples (304 S.S.)  
(Catalog Page 4.12)**

60-HM4-2.75	\$10.60
60-HM4-6	14.20
60-HM4-8	17.50
60-HM4-10	19.30
60-HM4-12	20.80

60-HM6-3	13.90
60-HM6-6	19.60
60-HM6-8	21.40
60-HM6-10	23.70
60-HM6-12	23.90

60-HM9-4	20.30
60-HM9-6	22.60
60-HM9-8	25.10
60-HM9-10	28.60
60-HM9-12	32.40

**High Pressure Connection  
Components  
(Catalog Page 4.A)**

**Glands**

60-2HM2	\$6.30
60-2HM4	6.30
60-2HM6	7.50
60-2HM9	12.00
30-2HM16	26.00

**Collars**

60-2H2	\$3.20
60-2H4	3.20
60-2H6	4.00
60-2H9	6.00
30-2H16	14.70

**Plugs**

60-7HM2	\$6.00
60-7HM4	6.00
60-7HM6	7.70
60-7HM9	10.50
30-7HM16	35.10

**Ultra High Pressure  
Valves, Fittings  
& Tubing**

**Ultra High Pressure Valves  
(Catalog Pages 5.2-5.3)**

100-11XF4	\$469.00
100-12XF4	469.00
100-13XF4	557.00
100-14XF4	557.00
100-15XF4	1,043.00
100-12XF4-R	691.00
150-11XF6	585.00
150-12XF6	585.00
150-13XF6	658.00
150-14XF6	663.00
150-15XF6	1,127.00
150-12XF6-R	786.00

**Ultra High Pressure Check Valves  
(Catalog Page 5.4)**

100-41XF4	\$293.00
150-41XF6	496.00

**Ultra High Pressure Safety Heads**

100-61XF4	\$496.00
150-61XF6	599.00

**Ultra High Pressure Fittings  
(Catalog Page 5.4)**

**Elbows**

100-22XF4	\$108.00
150-22XF6	149.00

**Tees**

100-23XF4	\$147.00
150-23XF6	196.00

**Crosses**

100-24XF4	\$169.00
150-24XF6	213.00

**Bulkheads**

100-21XF4-B	\$159.00
150-21XF6-B	213.00

**Caps**

100-21XF4-C	\$30.10
150-21XF6-C	\$51.00

**Ultra High Pressure  
Nipples (316 S.S.)  
(Catalog Page 5.5)**

100-XM4-2.75	\$14.20
100-XM4-6	18.80
100-XM4-8	21.40
100-XM4-10	22.90
100-XM4-12	24.30

**Ultra High Pressure  
Nipples (304 S.S.)  
(Catalog Page 5.5)**

100-XM4-2.75	\$12.90
100-XM4-6	15.70
100-XM4-8	18.80
100-XM4-10	20.00
100-XM4-12	21.40

150-XM6-4	27.00
150-XM6-6	32.80
150-XM6-8	39.80
150-XM6-10	46.90
150-XM6-12	52.60

**Ultra High Pressure  
Connection Components  
(Catalog Page 5.A)**

**Glands**

100-2XM4	\$9.70
150-2XM6	12.80

**Collars**

100-2X4	\$5.30
150-2X6	7.10

**Plugs**

100-7XM4	\$11.10
150-7XM6	14.10

**Specialty Valves**

**Two Way Free Floating Ball Valves  
(Catalog Page 6.2)**

15-16AF1	\$243.00
15-16AF2	249.00
10-16AF4	254.00
10-16AF6	247.00
20-16LF4	247.00
20-16LF6	249.00
20-16LF9	254.00
20-16HF2	247.00
20-16HF4	247.00
20-16HF6	249.00
20-16HF9	256.00
10-16NFA	215.00
10-16NFB	215.00
10-16NFC	215.00
10-16NFD	215.00

**Ultra High Pressure Tubing  
(Catalog Page 5.5)**

Size	Material	Catalog No.	Price/Foot 0-75 Feet	Price/Foot 76-150 Feet	Price/Foot 151-500 Feet	Price/Foot 501-1000 Feet
1/4" O.D. x 1/16" I.D.	316 S.S.	100-9X4-316	\$14.60	\$14.10	\$13.70	\$13.15
1/4" O.D. x 1/16" I.D.	304 S.S.	100-9X4-304	12.40	12.00	11.00	11.20
3/8" O.D. x 1/16" I.D.	304 S.S.	150-9X6	31.00	28.00	26.00	24.00



### Two Way Trunion Style Ball Valves (Catalog Page 6.3) .187 Orifice

15-71AF1	\$301.00
15-71AF2	301.00
10-71AF4	301.00
10-71AF6	301.00
20-71LF4	301.00
20-71LF6	301.00
20-71LF9	301.00
20-71HF4	301.00
20-71HF6	301.00
20-71HF9	301.00
15-71NFA	301.00
15-71NFB	301.00
15-71NFC	301.00

### 0.375 Orifice

10-74AF6	\$428.00
15-74LF9	428.00
15-74LF12	428.00
15-74LF16	428.00
15-74NFB	428.00
15-74NFC	428.00
15-74NFD	428.00

### .500 Orifice

10-80LF12	\$1,123.00
10-80LF16	1,123.00
10-80NFF	1,123.00
10-80NFH	1,123.00

### Three Way Trunion Style Ball Valves (Catalog Page 6.4) .187 Orifice (90°)

15-73AF1	\$329.00
15-73AF2	329.00
10-73AF4	329.00
10-73AF6	329.00
20-73LF4	329.00
20-73LF6	329.00
20-73LF9	329.00
20-73HF4	329.00
20-73HF6	329.00
20-73HF9	329.00
15-73NFA	329.00
15-73NFB	329.00
15-73NFC	329.00

### .187 Orifice (180°)

15-72AF1	\$329.00
15-72AF2	329.00
10-72AF4	329.00
10-72AF6	329.00
20-72LF4	329.00
20-72LF6	329.00
20-72LF9	329.00
20-72HF4	329.00
20-72HF6	329.00
20-72HF9	329.00
20-72NFA	329.00
20-72NFB	329.00
20-72NFC	329.00

### Three Way Trunion Style Ball Valves (Catalog Page 6.4) .375 Orifice (90°)

10-76AF6	\$438.00
15-76LF9	438.00
15-76LF12	438.00
15-76LF16	438.00
15-76NFB	\$438.00
15-76NFC	438.00
15-76NFD	438.00

### .500 Orifice (90°)

10-82LF12	\$1,210.00
10-82LF16	1,210.00
10-82NFF	1,210.00
10-82NFH	1,210.00

### .375 Orifice (180°)

10-75AF6	\$438.00
15-75LF9	438.00
15-75LF12	438.00
15-75LF16	438.00
15-75NFB	438.00
15-75NFC	438.00
15-75NFD	438.00

### .500 Orifice (180°)

10-81LF12	\$1,210.00
10-81LF16	1,210.00
10-81NFF	1,210.00
10-81NFH	1,210.00

### Mini Three Way Ball Valves

10-77LF4	\$176.00
10-77LF6	176.00
10-77NFB	176.00
10-77NFC	176.00

### High Temperature Valves

(Suffix "HT")  
(Catalog Page 6.6)

Add \$189.00 to price of valves in the 20,000 and 30,000 psi series. Except HF16, LF12 and LF16 series add \$408.00 to price of valves.

### Micro Control Metering Valves

(Suffix "V")  
(Catalog Page 6.7)

Add \$236.00 to price of standard 60,000 psi series.

### Metering Tip Valve

(Suffix "MTS")  
(Catalog Page 6.7)

Add \$59.00 to price of standard 60,000 psi series.

### Relief Valves

(Catalog Page 6.8)

4-2633	\$627.00
HiP-10RV	269.00
HiP-20RV	529.00

### Male Bottom Connection Valves (Catalog Page 6.9)

2-7928A	\$154.00
2-8144A	162.00
2-7602A	154.00
2-7569A	162.00
2-8164A	154.00
2-7742A	154.00
2-7565A	267.00
2-7927A	214.00
2-8039A	221.00
2-7604A	215.00
2-7603A	220.00

Rupture Discs (when required) should be ordered separately.

### Block and Bleed Needle Valves (Catalog Page 6.10)

15-SBB-NFB	\$373.00
15-SBB-NFC	407.00
15-SBB-NFD	418.00
20-SBB-LF4	384.00
20-SBB-LF6	401.00
20-SBB-LF9	424.00

### Double Block and Bleed Needle Valves (Catalog Page 6.11)

20-DBB-LF4	\$701.00
20-DBB-LF6	722.00
20-DBB-LF9	776.00
20-DBB-LF12	1,344.00
20-DBB-LF16	1,411.00

## Air Operated Valves

### Hippo Air Actuators (Catalog Pages 7.1.5 and 7.3.5)

Mini Hippo Normally Open	\$335.00
Mini Hippo Normally Closed	360.00
MPO-NO Normally Open	480.00
MPO-NC Normally Closed	492.00
HPO-NO Normally Open	680.00
HPO-NC Normally Closed	690.00
EHPO-NO Normally Open	3,274.00
EHPO-NC Normally Closed	3,274.00

### Hipco Air & Ball Valve Actuators (Catalog Page 7.2 and 6.5)

Add the following to price of a standard valve.

Normally Open	Add \$373.00
Normally Closed	Add 396.00
TSR4 Ball Valve	Add 439.00
TDR4 Ball Valve	Add 439.00
TSR8 Ball Valve	Add 439.00
TDA8 Ball Valve	Add 439.00
TSR20 Ball Valve	Add 722.00

### Remarco Valves (Catalog Page 7.3)

D-20R-12LF9R	\$1,198.00
D-30R-12HF4R	846.00
D-30R-12HF6R	846.00



D-30R-12HF9R	\$846.00
D-10R-12LF9R	846.00
D-60R-12HF4R	846.00
D-60R-12HF6R	846.00
D-60R-12HF9R	899.00
D-100R-12XF4R	1,104.00
D-100R-12XF6R	1,125.00
SD-20R-12LF9R	1,333.00
SD-30R-12HF4R	983.00
SD-30R-12HF6R	983.00
SD-30R-12HF9R	1,040.00
SD-10R-12LF9R	1,040.00
SD-60R-12HF4R	983.00
SD-60R-12HF6R	983.00
SD-60R-12HF9R	1,040.00
SD-100R-12XF4R	1,239.00
SD-100R-12XF6R	1,259.00

**Remetco Valves  
(Catalog Page 7.4)**

10M-12HF9R	\$3,615.00
30M-12HF9R	3,615.00
60M-12HF9R	3,615.00
Instrument Panel (RVP)	
B-1652	632.00

**Accessories**

**Adapters: Female to Male  
(Catalog Pages 8.8-8.14)**

15-21AF1AM1	\$50.50
15-21AF1AM2	50.40
10-21AF1AM4	50.40
10-21AF1AM6	62.30
15-21AF2AM1	49.10
10-21AF2AM4	55.80
10-21AF2AM6	62.30
10-21AF4AM2	58.30
10-21AF4AM6	58.30
10-21AF6AM2	61.50
10-21AF6AM4	60.00
15-21AF1HM2	53.20
15-21AF1HM4	53.20
15-21AF1HM6	66.10
15-21AF1HM9	86.30
15-21AF2HM2	56.50
15-21AF2HM4	56.50
15-21AF2HM6	60.40
15-21AF2HM9	60.40
10-21AF4HM2	42.00
10-21AF4HM4	39.20
10-21AF4HM6	42.00
10-21AF4HM9	49.20
10-21AF6HM2	49.50
10-21AF6HM4	43.70
10-21AF6HM6	44.70
10-21AF6HM9	53.20
10-21XF6AM4	121.00
15-21AF1NMA	37.50
15-21AF1NMB	37.50
15-21AF1NMC	37.50
15-21AF1NMD	37.50
10-21AF1NMF	57.70
10-21AF1NMH	58.60

15-21AF2NMA	\$37.40
15-21AF2NMB	37.40
15-21AF2NMC	37.40
15-21AF2NMD	37.40
10-21AF2NMF	58.70
10-21AF2NMH	71.60
10-21AF4NMA	34.90
10-21AF4NMB	34.90
10-21AF4NMC	34.90
10-21AF4NMD	34.90
10-21AF4NMF	58.70
10-21AF4NMH	74.40
10-21AF6NMA	36.50
10-21AF6NMB	36.50
10-21AF6NMC	36.50
10-21AF6NMD	36.50
10-21AF6NMF	58.30
10-21AF6NMH	74.40
20-21LF4LM6	38.70
20-21LF4LM9	40.30
20-21LF6LM4	42.20
20-21LF6LM9	45.20
20-21LF9LM4	48.20
20-21LF9LM6	48.20
20-21LF12LM4	99.10
20-21LF12LM6	112.00
20-21LF12LM9	118.00
20-21LF12LM16	124.00
20-21LF4LM12	86.50
20-21LF6LM12	83.60
20-21LF9LM12	88.30
20-21LF16LM4	113.00
20-21LF16LM6	122.00
20-21LF16LM9	138.00
20-21LF16LM12	126.00
20-21LF4LM16	90.60
20-21LF6LM16	119.00
20-21LF9LM16	122.00
20-21LF4HM2	36.90
20-21LF4HM4	42.50
20-21LF4HM6	42.50
20-21LF4HM9	44.10
20-21LF4HM16	78.00
20-21LF6HM4	39.00
20-21LF6HM6	48.20
20-21LF6HM9	50.60
20-21LF9HM4	49.00
20-21LF9HM6	49.70
20-21LF9HM9	50.00
20-21LF9XM4	90.60
20-21LF12HM4	99.10
20-21LF12HM6	110.00
20-21LF12HM9	119.00
20-21LF16HM4	138.00
20-21LF16HM6	138.00
20-21LF16HM9	144.00
20-21HF2LM4	39.80
20-21HF4LM4	39.80
20-21HF4LM6	40.70
20-21HF4LM9	42.20
20-21HF6LM4	46.90
20-21HF6LM6	47.10
20-21HF6LM9	49.50
20-21HF9LM4	52.60
20-21HF9LM6	52.60

20-21HF9LM9	\$55.40
20-21HF4LM12	86.50
20-21HF6LM12	108.00
20-21HF9LM12	124.00
20-21HF4LM16	112.00
20-21HF6LM16	127.00
20-21HF9LM16	120.00
30-21HF4HM16	139.00
30-21HF6HM16	131.00
30-21HF9HM16	134.00
20-21LF4NMA	39.80
20-21LF4NMB	31.20
20-21LF4NMC	32.80
20-21LF4NMD	33.50
10-21LF4NMF	66.60
10-21LF4NMH	72.20
20-21LF6NMA	39.80
20-21LF6NMB	33.80
20-21LF6NMC	36.90
20-21LF6NMD	38.30
10-21LF6NMF	68.10
10-21LF6NMH	70.40
20-21LF9NMA	52.60
20-21LF9NMB	48.20
20-21LF9NMC	49.70
20-21LF9NMD	50.70
10-21LF9NMF	58.20
10-21LF9NMH	65.50
20-21LF12NMA	111.00
20-21LF12NMB	111.00
20-21LF12NMC	108.00
20-21LF12NMD	95.10
10-21LF12NMF	112.00
10-21LF12NMH	122.00
20-21LF16NMA	149.00
20-21LF16NMB	143.00
20-21LF16NMC	127.00
20-21LF16NMD	127.00
10-21LF16NMF	125.00
10-21LF16NMH	134.00
20-21NFALM4	46.90
20-21NFBLM4	30.10
20-21NFCLM4	38.70
20-21NFDLM4	41.10
10-21NFFLM4	83.10
20-21NFALM6	46.90
20-21NFBLM6	38.60
20-21NFCLM6	39.80
20-21NFDLM6	41.50
10-21NFFLM6	84.20
10-21NFHLM6	97.30
20-21NFALM9	46.90
20-21NFBLM9	38.40
20-21NFCLM9	39.80
20-21NFDLM9	41.30
10-21NFFLM9	83.00
10-21NFHLM9	98.90
20-21NFALM12	107.00
20-21NFBLM12	104.00
20-21NFCLM12	102.00
20-21NFDLM12	88.10
10-21NFFLM12	121.00
10-21NFHLM12	125.00
20-21NFALM16	126.00
20-21NFBLM16	126.00



# High Pressure Equipment

20-21NFCLM16	\$117.00
20-21NFDLM16	93.50
10-21NFFLM16	135.00
10-21NFHLM16	138.00
30-21HF2NMA	46.90
30-21HF2NMB	46.90
30-21HF2NMC	46.90
30-21HF2NMD	48.20
10-21HF2NMF	78.00
10-21HF2NMH	92.10
30-21HF4NMA	31.20
30-21HF4NMB	31.70
30-21HF4NMC	32.50
30-21HF4NMD	34.40
10-21HF4NMF	62.40
10-21HF4NMH	89.40
30-21HF6NMA	39.80
30-21HF6NMB	36.90
30-21HF6NMC	41.30
30-21HF6NMD	41.30
10-21HF6NMF	62.40
10-21HF6NMH	83.50
30-21HF9NMA	62.40
30-21HF9NMB	55.40
30-21HF9NMC	55.40
30-21HF9NMD	55.40
10-21HF9NMF	68.10
10-21HF9NMH	89.40
30-21NFAHM2	38.10
30-21NFBHM2	38.40
30-21NFCHM2	38.30
30-21NFAHM4	26.80
30-21NFBHM4	29.00
30-21NFCHM4	34.20
30-21NFDHM4	36.10
30-21NFAHM6	39.80
30-21NFBHM6	29.10
30-21NFCHM6	35.50
30-21NFDHM6	40.40
10-21NFFHM6	68.10
30-21NFAHM9	41.30
30-21NFBHM9	38.60
30-21NFCHM9	40.10
30-21NFDHM9	40.00
10-21NFFHM9	66.60
10-21NFHHM9	90.60
30-21NFBXM4	55.40
60-21HF2HM4	36.10
60-21HF2HM6	36.10
60-21HF2HM9	48.20
60-21HF4HM2	38.40
60-21HF4HM6	46.90
60-21HF4HM9	46.90
60-21HF6HM2	41.00
60-21HF6HM4	44.10
60-21HF6HM9	50.40
60-21HF9HM2	62.40
60-21HF9HM4	54.20
60-21HF9HM6	54.20
60-21HF9HM9	92.10
60-21HF4XM6	76.50
60-21HF2XM4	69.50
60-21XF6HM4	76.50
100-21XF4XM6	95.10
100-21XF6XM4	78.00

15-21HF4AM2	\$55.20
15-21LF4AM2	44.00
10-21LF4AM4	46.30
10-21LF4AM6	46.30
15-21LF6AM2	46.50
10-21LF6AM4	47.70
10-21LF6AM6	47.70
15-21LF9AM2	51.50
10-21LF9AM4	52.80
10-21LF9AM6	52.80
15-21AF1LM4	47.70
15-21AF1LM6	52.00
15-21AF1LM9	55.70
15-21AF2LM4	52.80
15-21AF2LM6	54.80
15-21AF2LM9	62.30
10-21AF4LM4	58.70
10-21AF4LM6	61.80
10-21AF4LM9	69.40
10-21AF6LM4	60.40
10-21AF6LM6	63.20
10-21AF6LM9	71.30
15-21NFAAM2	43.50
15-21NFBAM2	43.50
15-21NFCAM2	43.50
10-21NFAAM4	36.40
10-21NFBAM4	36.40
10-21NFCAM4	39.30
10-21NFDAM4	42.80
10-21NFAAM6	36.40
10-21NFBAM6	36.40
10-21NFCAM6	39.40
10-21NFDAM6	42.80

### Adapters: Male to Male (Catalog Pages 8.15-8.18)

20-21LM4LM12	\$72.80
20-21LM6LM12	72.80
20-21LM9LM12	118.00
20-21LM12LM12	80.20
20-21LM4LM16	118.00
20-21LM6LM16	118.00
20-21LM9LM16	118.00
20-21LM12LM16	118.00
20-21LM16LM16	126.00
20-21HM4LM12	72.80
20-21HM6LM12	72.80
20-21HM9LM12	72.80
20-21HM4LM16	118.00
20-21HM6LM16	118.00
20-21HM9LM16	118.00
30-21HM4HM16	125.00
30-21HM6HM16	125.00
30-21HM9HM16	125.00
20-21LM12NMA	133.00
20-21LM12NMB	109.00
20-21LM12NMC	109.00
20-21LM12NMD	109.00
10-21LM12NMF	109.00
10-21LM12NMH	118.00
20-21LM16NMA	193.00
20-21LM16NMB	147.00
20-21LM16NMC	140.00
20-21LM16NMD	140.00

10-21LM16NMF	\$147.00
10-21LM16NMH	134.00
30-21HM2NMA	69.30
30-21HM2NMB	67.00
30-21HM4NMA	39.50
30-21HM4NMB	41.00
30-21HM4NMC	58.70
30-21HM4NMD	58.70
10-21HM4NMF	120.00
30-21HM6NMB	61.90
30-21HM6NMC	61.90
30-21HM6NMD	61.90
30-21HM9NMB	75.70
30-21HM9NMC	75.70
30-21HM9NMD	75.70
10-21HM9NMF	105.00
10-21HM9NMH	124.00
60-21HM2HM2	69.30
60-21HM2HM4	69.30
60-21HM4HM4	40.40
60-21HM4HM6	59.90
60-21HM4HM9	75.40
60-21HM6HM6	46.80
60-21HM6HM9	75.40
60-21HM9HM9	58.00
100-21XM4XM4	65.90
100-21XM4XM6	65.90
15-21AM1AM1	45.80
15-21AM1NMA	45.80
15-21AM1AM2	52.20
15-21AM1NMB	45.80
15-21AM1HM2	44.70
15-21AM1HM4	44.70
15-21AM2AM2	45.80
15-21AM2NMA	42.50
15-21AM2NMB	44.00
15-21AM2HM2	63.50
15-21AM2HM4	45.80
15-21AM2LM4	42.20
15-21AM2LM6	43.50
15-21AM2LM9	45.70
10-21AM4AM4	58.50
10-21AM4NMB	58.50
10-21AM4NMD	58.50
10-21AM4HM4	58.50
10-21AM4LM4	45.10
10-21AM4LM6	46.70
10-21AM4LM9	48.50
10-21AM6AM6	56.40
10-21AM6LM4	48.50
10-21AM6LM6	51.20
10-21AM6LM9	53.00
10-21AM6XM4	112.00
10-21AM6XM6	112.00
20-21LM4LM4	41.80
20-21LM4LM6	56.40
20-21LM4LM9	62.50
20-21LM4NMB	43.20
20-21LM4NMD	58.70
20-21LM4HM2	59.80
20-21LM4HM4	59.70
20-21LM4HM6	62.40
20-21LM4HM9	56.90

20-21LM6LM6	\$56.20
20-21LM6LM9	62.50
20-21LM6NMB	58.50
20-21LM6NMC	58.50
20-21LM6NMD	58.50
20-21LM6HM4	57.00
20-21LM6HM6	59.70
20-21LM9LM9	58.00
20-21LM9NMB	63.20
20-21LM9NMC	63.20
20-21LM9NMD	66.40
10-21LM9NMF	88.00
10-21LM9NMH	126.00
20-21LM9HM4	66.40
20-21LM9HM9	66.40

**Couplings: Female to Female  
(Catalog Pages 8.19-8.23)**

15-21AF1	\$37.80
15-21AF2	38.40
10-21AF4	42.90
10-21AF6	49.10
15-21AF1AF2	44.00
10-21AF1AF4	44.70
10-21AF1AF6	46.80
10-21AF2AF4	46.50
10-21AF2AF6	49.10
10-21AF4AF6	49.10
15-21AF1HF2	45.20
15-21AF1HF4	45.20
15-21AF1HF6	49.20
15-21AF1HF9	50.50
15-21AF2HF2	45.70
15-21AF2HF4	45.70
15-21AF2HF6	50.50
15-21AF2HF9	67.30
10-21AF4HF2	47.70
10-21AF4HF4	47.70
10-21AF4HF6	49.90
10-21AF4HF9	68.80
10-21AF6HF2	48.50
10-21AF6HF4	48.50
10-21AF6HF6	52.20
10-21AF6HF9	69.40
15-21AF1NFA	39.20
15-21AF1NFB	39.20
15-21AF1NFC	40.50
15-21AF1NFD	43.50
15-21AF2NFA	39.20
15-21AF2NFB	39.20
15-21AF2NFC	40.50
15-21AF2NFD	44.70
10-21AF4NFA	34.90
10-21AF4NFB	34.90
10-21AF4NFC	34.90
10-21AF4NFD	41.20
10-21AF4NFF	77.30
10-21AF4NFH	95.60
10-21AF6NFA	34.90
10-21AF6NFB	34.90
10-21AF6NFC	34.90
10-21AF6NFD	44.80
10-21AF6NFF	78.60
10-21AF6NFH	97.00

20-21LF4	\$30.30
20-21LF6	37.90
20-21LF9	45.70
20-21LF12	124.00
20-21LF16	169.00
30-21HF16	191.00
20-21LF4NFA	35.70
20-21LF4NFB	33.30
20-21LF4NFC	34.20
20-21LF4NFD	36.00
10-21LF4NFF	82.20
10-21LF4NFH	97.80
20-21LF6NFA	42.50
20-21LF6NFB	41.00
20-21LF6NFC	44.10
20-21LF6NFD	49.20
10-21LF6NFF	85.00
10-21LF6NFH	97.80
20-21LF9NFA	44.10
20-21LF9NFB	45.40
20-21LF9NFC	48.10
20-21LF9NFD	49.70
10-21LF9NFF	86.50
10-21LF9NFH	101.00
20-21LF12NFA	122.00
20-21LF12NFB	119.00
20-21LF12NFC	121.00
20-21LF12NFD	106.00
10-21LF12NFF	141.00
10-21LF12NFH	146.00
20-21LF16NFA	161.00
20-21LF16NFB	138.00
20-21LF16NFC	136.00
20-21LF16NFD	125.00
10-21LF16NFF	141.00
10-21LF16NFH	146.00
20-21LF4LF6	44.10
20-21LF4LF9	48.20
20-21LF6LF9	53.90
20-21LF4LF12	128.00
20-21LF6LF12	148.00
20-21LF9LF12	105.00
20-21LF4LF16	134.00
20-21LF6LF16	152.00
20-21LF9LF16	141.00
20-21LF12LF16	145.00
20-21LF4HF2	55.00
20-21LF4HF4	51.00
20-21LF4HF6	54.80
20-21LF4HF9	59.90
20-21LF6HF4	51.00
20-21LF6HF6	53.90
20-21LF6HF9	66.30
20-21LF9HF2	58.20
20-21LF9HF4	58.40
20-21LF9HF6	60.90
20-21LF9HF9	62.60
20-21LF12HF4	117.00
20-21LF12HF6	116.00
20-21LF12HF9	116.00
20-21LF16HF4	129.00
20-21LF16HF6	135.00
20-21LF16HF9	154.00
60-21HF2	46.90

60-21HF4	\$37.40
60-21HF6	46.20
60-21HF9	65.50
100-21XF4	68.10
150-21XF6	75.20
60-21HF2HF4	46.90
60-21HF2HF6	49.70
60-21HF2HF9	63.90
60-21HF4HF6	49.10
60-21HF4HF9	61.90
60-21HF6HF9	66.60
60-21HF4XF6	78.00
30-21HF4HF16	126.00
30-21HF2NFA	38.40
30-21HF2NFB	39.70
30-21HF2NFC	41.30
30-21HF2NFD	45.40
10-21HF2NFF	76.50
10-21HF2NFH	101.00
30-21HF4NFA	30.10
30-21HF4NFB	30.60
30-21HF4NFC	35.10
30-21HF4NFD	36.20
10-21HF4NFF	75.20
10-21HF4NFH	92.10
30-21HF6NFA	55.40
30-21HF6NFB	51.10
30-21HF6NFC	51.10
30-21HF6NFD	53.00
10-21HF6NFF	75.20
10-21HF6NFH	95.10
30-21HF9NFA	56.70
30-21HF9NFB	55.40
30-21HF9NFC	55.40
30-21HF9NFD	58.30
10-21HF9NFF	82.20
10-21HF9NFH	97.80
15-21AF1LF4	49.70
15-21AF1LF6	54.80
15-21AF1LF9	63.20
15-21AF1LF16	154.00
15-21AF2LF4	51.80
15-21AF2LF6	55.70
15-21AF2LF9	62.70
15-21AF2LF16	138.00
10-21AF4LF4	53.90
10-21AF4LF6	55.90
10-21AF4LF9	63.80
10-21AF6LF4	54.90
10-21AF6LF6	56.50
10-21AF6LF9	64.30

**NPT Adapters  
(Catalog Page 8.18.1-2)**

15-21NFA	\$49.70
15-21NFB	49.70
15-21NFC	49.70
15-21NFD	62.40
10-21NFF	108.00
10-21NFH	111.00
15-21NFBNFC	53.90
15-21NFBNFD	59.70
15-21NFCNFD	59.70
15-21NMANMA	42.90



# High Pressure Equipment

15-21NMBNMB	.....	\$42.90
15-21NMCNMC	.....	42.90
15-21NMDNMD	.....	42.90
10-21NMFNMF	.....	69.50
10-21NMHNMH	.....	111.00
15-21NMBNMC	.....	45.40
15-21NMBNMD	.....	48.20
15-21NMCNMD	.....	48.20
15-21NFANMA	.....	58.20
15-21NFANMB	.....	58.20
15-21NFANMC	.....	58.20
15-21NFANMD	.....	68.10
15-21NFBNMA	.....	54.80
15-21NFBNMB	.....	54.80
15-21NFBNMC	.....	54.80
15-21NFBNMD	.....	58.50
15-21NFCNMB	.....	59.20
15-21NFCNMD	.....	62.40
15-21NFDNMA	.....	58.20
15-21NFDNMB	.....	58.20
15-21NFDNMC	.....	58.20
15-21NFDNMD	.....	69.50
10-21NFFNMD	.....	82.50
10-21NFFNMH	.....	85.70
10-21NFHNMD	.....	121.00
10-21NFHNMF	.....	197.00

## Hose Adapters (Catalog Page 8.18.3-4)

40-21HM4HA9	.....	\$42.50
30-21HM4HA12	.....	42.50
26-21HM4HA16	.....	45.40
40-21HM6HA9	.....	45.40
30-21HM6HA12	.....	45.40
26-21HM6HA16	.....	48.20
40-21HM9HA9	.....	48.20
30-21HM9HA12	.....	48.20
26-21HM9HA16	.....	48.20
20-21LM4HA9	.....	42.50
20-21LM4HA12	.....	42.50
20-21LM4HA16	.....	45.40
20-21LM6HA9	.....	42.50
20-21LM6HA12	.....	42.50
20-21LM6HA16	.....	45.40
20-21LM9HA9	.....	42.50
20-21LM9HA12	.....	42.50
20-21LM9HA16	.....	45.40
20-21LM12HA9	.....	56.70
20-21LM12HA12	.....	59.70
20-21LM12HA16	.....	68.10
20-21LM12HA21	.....	107.00
20-21LM16HA9	.....	56.70
20-21LM16HA12	.....	68.10
20-21LM16HA16	.....	73.70
20-21LM16HA21	.....	79.40
15-21NMBHA9	.....	39.80
15-21NMBHA12	.....	42.50
15-21NMBHA16	.....	45.40
15-21NMCHA9	.....	39.80
15-21NMCHA12	.....	42.50
15-21NMCHA16	.....	45.40
15-21NMDHA9	.....	39.80
15-21NMDHA12	.....	45.40
15-21NMDHA16	.....	48.20

10-21NMFHA12	.....	\$96.20
10-21NMFHA16	.....	96.20
10-21NMHHA16	.....	105.00
26-21HA9HA9	.....	42.50
26-21HA9HA12	.....	45.40
26-21HA9HA16	.....	48.20
26-21HA12HA12	.....	48.20
26-21HA12HA16	.....	48.20
26-21HA16HA16	.....	48.20

## Thermocouple Adapters (Catalog Page 8.24)

15-21AF1AM2-T	.....	\$58.20
10-21AF1AM4-T	.....	58.20
10-21AF1AM6-T	.....	75.20
15-21AF1NMA-T	.....	41.30
15-21AF1NMB-T	.....	41.30
15-21AF1NMC-T	.....	41.30
15-21AF1NMD-T	.....	41.30
10-21AF1NMF-T	.....	60.90
10-21AF1NMH-T	.....	79.40
15-21AF1LM4-T	.....	52.60
15-21AF1LM6-T	.....	56.70
15-21AF1LM9-T	.....	60.90
15-21AF1HM2-T	.....	59.70
15-21AF1HM4-T	.....	59.70
15-21AF1HM6-T	.....	75.20
15-21AF1HM9-T	.....	86.50
15-21AF2LM4-T	.....	55.40
15-21AF2LM6-T	.....	56.70
15-21AF2LM9-T	.....	60.90
10-21AF2AM4-T	.....	62.40
10-21AF2AM6-T	.....	72.20
15-21AF2HM4-T	.....	63.90
15-21AF2HM6-T	.....	68.10
15-21AF2HM9-T	.....	68.10
15-21AF2NMA-T	.....	42.50
15-21AF2NMB-T	.....	42.50
15-21AF2NMC-T	.....	42.50
15-21AF2NMD-T	.....	42.50
10-21AF2NMF-T	.....	62.40
10-21AF2NMH-T	.....	79.40
10-21AF4HM9-T	.....	70.90
10-21AF4LM9-T	.....	68.70

## Pressure Gauges (Catalog Page 8.25)

4PG5	.....	\$317.00
4PG10	.....	320.00
6PG20	.....	540.00
6PG30	.....	675.00
6PG50	.....	1,110.00
6PG75	.....	1,169.00
6PG100	.....	1,366.00
6PG150	.....	2,612.00

## Tooling

### Reseating Tools (Catalog Page 9.2)

RTL4	.....	\$63.80
RTL6	.....	73.90
RTL9	.....	94.20

RTHF2	.....	\$63.80
RTHF4	.....	63.80
RTHF6	.....	73.90
RTHF9	.....	94.20
RTXF4	.....	63.80
RTXF6	.....	73.90

### Coning Tools (Catalog Page 9.3)

Complete Tool	.....	
2-LF4	.....	\$291.00
2-LF6	.....	291.00
2-LF9	.....	368.00
2-HF2	.....	323.00
2-HF4	.....	291.00
2-HF6	.....	291.00
2-HF9	.....	368.00
2-HF9-40	.....	368.00
2-XF4	.....	296.00
2-XF6	.....	307.00

### Cutter (Spare)

2-LF4L*	.....	\$86.30
2-LF6L*	.....	86.30
2-LF9L	.....	86.30
2-HF2L*	.....	103.00
2-HF4L*	.....	86.30
2-HF6L*	.....	86.30
2-HF9L	.....	86.30
2-HF9L-40	.....	86.30
2-XF6L*	.....	104.00

### Collet (Spare)

2-LF4P	.....	\$64.70
2-LF6P	.....	64.70
2-LF9P	.....	64.70
2-HF2P*	.....	64.70
2-HF4P*	.....	64.70
2-HF6P*	.....	64.70
2-HF9P	.....	64.70
2-XF6P*	.....	64.70

\* Interchangeable in any of the assemblies except 2-HF9 and 2-LF9.

### Threading Tools (Catalog Page 9.3)

Complete Tool	.....	
2-MLF4	.....	\$189.00
2-MLF6	.....	189.00
2-MLF9	.....	189.00
2-MHF2	.....	153.00
2-MHF4	.....	189.00
2-MHF6	.....	189.00
2-MHF9	.....	189.00
2-MXF6	.....	189.00

### Threading Die (Spare)

1/8" - 40LH	.....	\$55.40
1/4" - 28LH*	.....	68.80
3/8" - 24LH*	.....	68.80
9/16" - 18LH*	.....	68.80

### Guide Bushing (Spare)

2-MLF4P*	.....	\$31.10
2-MLF6P*	.....	31.10
2-MLF9P*	.....	31.10

2-MHF4P*	\$31.10
2-MHF6P*	31.10
2-MHF9P*	31.10
2-MXF6P*	31.10

\* Interchangeable in any of the assemblies except 2-MHF2.

Rapid Tap 4 ounces	17.80
--------------------	-------

## Pumping Systems, Intensifiers, Gas Boosters and High Pressure Generators

### High Pressure Generators (Catalog Page 11.9)

87-6-5	\$1,389.00
62-6-10	1,389.00
50-6-15	1,389.00
37-6-30	1,389.00

### Vernier Indicator 401491

(Option for above models) .. \$189.00  
Spare Packing  
(see spare parts list)

### Extra Capacity Models

112-5.75-5	\$3,142.00
81-5.75-10	3,142.00
68-5.75-15	3,142.00
50-5.75-30	3,142.00
37-5.75-60	3,142.00
31-5.75-75	3,437.00
25-5.75-100	3,988.00

Spare Packing  
(see spare parts list)

## Oil & Gas Products

### Nipples, Fittings, Couplings, Check Valves, Filters (Catalog Page 13.4-13.6)

60-HM4-2.75-SGS	\$15.70
60-HM4-6-SGS	25.60
60-HM4-8-SGS	32.80
60-HM4-10-SGS	38.40
60-HM4-12-SGS	41.30
60-HM6-3-SGS	24.30
60-HM6-6-SGS	30.10
60-HM6-8-SGS	36.90
60-HM6-10-SGS	39.80
60-HM6-12-SGS	42.50
60-HM9-4-SGS	34.20
60-HM9-6-SGS	39.80
60-HM9-8-SGS	46.90
60-HM9-10-SGS	53.90
60-HM9-12-SGS	60.90
60-2HM4-SGS	8.80

60-2HM6-SGS	\$10.30
60-2HM9-SGS	17.20
60-2H4-SGS	6.00
60-2H6-SGS	6.00
60-2H9-SGS	8.80
60-7HM4-SGS	7.40
60-7HM6-SGS	10.30
60-7HM9-SGS	14.50
60-22HF4-SGS	58.20
60-22HF6-SGS	79.40
60-22HF9-SGS	89.40
60-23HF4-SGS	75.20
60-23HF6-SGS	87.80
60-23HF9-SGS	117.00
60-24HF4-SGS	95.10
60-24HF6-SGS	108.00
60-24HF9-SGS	125.00
60-21HF4-U-SGS	76.50
60-21HF6-U-SGS	86.50
60-21HF9-U-SGS	125.00
60-21HF4-B-SGS	89.40
60-21HF6-B-SGS	126.00
60-21HF9-B-SGS	139.00
60-21HF4-C-SGS	46.90
60-21HF6-C-SGS	58.20
60-21HF9-C-SGS	82.20
60F-51HF4-SGS	423.00
60F-51HF6-SGS	482.00
60F-51HF9-SGS	551.00
60-41HF4-SGS	240.00
60-41HF6-SGS	303.00
60-41HF9-SGS	381.00
30-41HF4-T-SGS	268.00
30-41HF6-T-SGS	282.00
30-41HF9-T-SGS	348.00
60-41HF4-T-SGS	282.00
60-41HF6-T-SGS	342.00
60-41HF9-T-SGS	384.00

### Valves

#### (Catalog Page 13.3)

30-11HF4-SGS	\$190.00
30-11HF6-SGS	215.00
30-11HF9-SGS	229.00
60-11HF4-SGS	218.00
60-11HF6-SGS	225.00
60-11HF9-SGS	229.00
30-12HF4-SGS	190.00
30-12HF6-SGS	215.00
30-12HF9-SGS	229.00
60-12HF4-SGS	218.00
60-12HF6-SGS	225.00
60-12HF9-SGS	229.00
30-13HF4-SGS	207.00
30-13HF6-SGS	235.00
30-13HF9-SGS	332.00
60-13HF4-SGS	231.00
60-13HF6-SGS	243.00
60-13HF9-SGS	285.00
30-14HF4-SGS	207.00
30-14HF6-SGS	235.00
30-14HF9-SGS	332.00
60-14HF4-SGS	231.00

60-14HF6-SGS	\$243.00
60-14HF9-SGS	285.00
30-15HF4-SGS	270.00
30-15HF6-SGS	339.00
30-15HF9-SGS	407.00
60-15HF4-SGS	303.00
60-15HF6-SGS	339.00
60-15HF9-SGS	499.00
30-12HF4-R-SGS	256.00
30-12HF6-R-SGS	351.00
30-12HF9-R-SGS	375.00
60-12HF4-R-SGS	270.00
60-12HF6-R-SGS	384.00
60-12HF9-R-SGS	398.00

### Well Head Gauge and Bleed Valves (Catalog Page 13.7)

30-GVHF9	\$267.00
30-GVHF9-SGS	370.00
30-BVHM9	101.00
30-BVHM9-SGS	123.00

## Spare Parts

### Taper Seal

#### 15,000 psi

#### AF1 Series Valves

Handle 2-263	\$10.20
Stem Nut 2-566	21.10
Lock Nut 2-1030	5.90
Stem 2-2645	52.50
Top Washer 2-267	9.00
Buna O-ring B-101	3.90
Viton O-ring B-614	5.40
Silicone O-ring B-149	5.40
Teflon Packing B-195*	5.40
Grafoil Packing B-1379	7.50
Bottom Washer 2-266	7.70
Regulating Stem Assembly 2-9350	52.50

#### 15,000 psi

#### AF2 Series Valves

Handle 2-263	\$10.20
Stem Nut 2-265	21.10
Lock Nut 2-268	5.90
Stem 2-2645	52.50
Top Washer 2-267	9.00
Buna O-ring B-101	3.90
Viton O-ring B-614	5.40
Silicone O-ring B-149	5.40
Teflon Packing B-195*	5.40
Grafoil Packing B-1379	7.50
Bottom Washer 2-266	7.70
Regulating Stem Assembly 2-9350	52.50



## 10,000 psi

### AF4 and AF6 Series Valves

Handle 2-151	\$10.80
Locking Device 2-657	11.10
Stem Assembly 2-7461	70.60
Lower Stem Only 2-7428	33.10
Upper Stem Assembly 2-7981	37.40
Top Washer 2-154	9.00
Buna O-ring B-102	3.90
Viton O-ring B-849	5.40
Silicone O-ring B-147	5.40
Teflon Packing B-181*	5.40
Grafoil Packing B-1417 (1 ea)	8.30
-w Grafoil Packing B-1357 (1 ea)	6.40
Bottom Washer 2-156	7.70
Lower Stem Regulating 2-9347	35.70

### Ball Check Valves

#### Taper Seal (AF1, AF2, AF4, AF6)

Ball B-521 (316 SS)	\$4.60
Ball Support 2-7900	19.90
Spring B-551	7.80
Gasket B-552	6.30

### Line Filter Discs

#### AF4, AF6, NFB, NFC, NFD: (4 per set)

0.5 Micron B-1442Set	\$33.30
2 Micron B-1443Set	33.30
5 Micron B-1444Set	33.30
10 Micron B-923Set	33.30
20 Micron B-1445Set	33.30
40 Micron B-610Set	33.30
100 Micron B-607Set	33.30

#### AF1, AF2: (3 per set) HF2 old style

0.5 Micron B-1450Set	\$33.30
2 Micron B-1451Set	33.30
5 Micron B-1452Set	33.30
10 Micron B-475Set	33.30
20 Micron B-1453Set	33.30
40 Micron B-616Set	33.30
100 Micron B-474Set	33.30

### Soft Seat Check Valves

Poppet 2-2272	\$32.80
O-ring B-159 Buna	4.00
O-ring B-152 Teflon	4.00
O-ring B-870 Viton	4.20
Spring B-551	7.80
Gasket B-552	6.30

### Safety Heads (Rupture Assemblies)

Hold Down Nut 2-204	\$36.70
Hold Down Ring 2-130	32.20

## Medium Pressure

### 20,000 psi

#### LF4 and LF6 Series Valves

Handle 2-151	\$10.80
Stem Nut 2-7730	23.50
Locking Device 2-7733	10.90
Stem Assembly 2-7729	50.50
Top Washer 2-7731	10.90
Polypak Seal B-1388	12.60

Grafoil Packing B-1391Set (2)	\$11.30
Teflon Packing B-1392Set (2)	12.20
Bottom Washer 2-7732	10.90
LF4 Removable Seat Gland 2-8512	90.10
LF6 Removable Seat Gland 2-8431	90.10
Lower Regulating Stem Assembly	
2-9355 (& MTS)	62.80
Lens Ring 2-8432	39.70

### 20,000 psi

#### LF9 Series Valves

Handle 2-754	\$15.60
Stem Nut 2-7737	32.20
Locking Device 2-7734	10.90
Stem Assembly 2-8278	73.30
Top Washer 2-7738	13.50
Polypak Seal B-1387	12.60
Grafoil Packing B-1386Set (2)	11.30
Teflon Packing 2-7341Set (2)	12.20
Bottom Washer 2-7342	12.00
Std. Lower Stem 2-7467	42.30
Lower Regulating Stem	
2-8108	61.40
High Temp. Stem Assembly	
2-8387	147.00
Removable Seat Gland 2-8592	90.10
Lens Ring 2-897	39.70

### 20,000 psi

#### LF12 Series Valves

Handle 2-8673	\$15.40
Handle Collar 2-8674	89.30
Packing Gland 2-8675	109.00
Locking Device 2-8669	13.60
Bearing Washer 2-8676	21.40
Stem Sleeve 2-8677	63.50
Upper Stem 2-8678	56.30
Lower Stem 2-8679	58.20
Top Washer 2-8754	28.40
Teflon Packing 2-8740Set (2)	12.00
Grafoil Packing B01455Set(3)	28.50
Polypak B-1431 (1 ea)	12.60
Bottom Washer 2-8755	28.40
Removable Seat Gland 2-9280	125.00
Lens Ring 2-9279	54.90

### 20,000 psi

#### LF16 Series Valves

Handle 2-8673	\$15.40
Handle Collar 2-8680	91.60
Packing Gland 2-8681	112.00
Locking Device 2-8670	14.10
Bearing Washer 2-8682	23.70
Stem Sleeve 2-8683	112.00
Upper Stem 2-8684	93.50
Lower Stem 2-8685	79.30
Bearing Washer 2-8686	27.00
Top Washer 2-8756	36.20
Teflon Packing 2-8741Set (2)	12.90
Grafoil Packing B-1440Set (2)	28.50
Polypak B-1742 (1)	12.60
Bottom Washer 2-8757	36.20
Removable Seat Gland 2-9282	157.00
Lens Ring 2-9281 10K	73.60
Lens Ring 2-9972 20K	67.00

### Ball Check Valves

#### Medium Pressure (LF4 and LF6)

Ball B-521 (316ss)	\$4.60
Ball Support 2-7900	19.90
Spring B-551	7.80
Gasket B-552	6.30

#### Medium Pressure (LF9)

Ball B-522 (316ss)	\$5.10
Ball Support 2-7901	21.50
Spring B-958	9.90
Gasket B-959	7.50

### Line Filter Discs

#### LF4, LF6 and LF9 Series (4 per set)

0.5 Micron B-1442Set	\$33.30
2 Micron B-1443Set	33.30
5 Micron B-1444Set	33.30
10 Micron B-923Set	33.30
20 Micron B-1445Set	33.30
40 Micron B-610Set	33.30
100 Micron B-607Set	33.30
Spacer 2-1104	11.10

### Soft Seat Check Valves

#### LF4 and LF6 Series

Poppet 2-2272	\$32.80
O-ring B-159 Buna	4.00
O-ring B-152 Teflon	4.00
O-ring B-870 Viton	4.20
Spring B-551	7.80
Gasket B-552	6.30

#### LF9 Series

Poppet 2-4740	\$37.60
O-ring B-104 Buna	6.00
O-ring B-161 Teflon	6.30
Spring B-958	9.90
Gasket B-959	7.50

### Safety Heads (Rupture Assemblies)

Hold Down Nut 2-204	\$36.70
Hold Down Ring 2-130	32.20

## High Pressure

### 30,000 psi

#### HF2 Series Valves

Handle 2-263	\$10.20
Stem Nut 2-265	21.10
Lock Nut 2-268	5.90
Stem 2-2645	52.50
Top Washer 2-267	9.00
Buna O-ring B-101	3.90
Viton O-ring B-614	5.40
Silicone O-ring B-149	5.40
Grafoil Packing B-1379	7.50
Teflon Packing B-195*	5.40
Bottom Washer 2-266	7.70
Regulating Stem 2-9350	52.50

### 30,000 psi

#### HF4, HF6, and HF9 Series Valves

Handle 2-151	.....	\$10.80
Locking Device 2-657	.....	11.10
Stem Assembly 2-7462	.....	70.40
Upper Stem Assembly 2-7981	.....	37.40
Lower Stem Kit 2-7426	.....	33.60
Top Washer 2-154	.....	9.00
Buna O-ring B-102	.....	3.90
Viton O-ring B-849	.....	5.40
Silicone O-ring B-147	.....	5.40
Grafoil Packing B-1417	.....	8.30
Teflon Packing B-181*	.....	5.40
Teflon/Buna 209276	.....	27.00
Bottom Washer 2-156	.....	7.70
Bottom Spacer 2-155	.....	6.30
HF4 Removable Seat Gland 2-750	.....	95.40
HF6 Removable Seat Gland 2-751	.....	95.40
HF9 Removable Seat Gland 2-752	.....	95.40
Lower Regulating Stem Kit 2-9348	.....	33.60
Lens Ring 2-753	.....	39.50

### 30,000 psi

#### HF16 Series Valves

##### Use LF16, 20,000 psi parts, except:

Lower Stem 2-8753	.....	\$77.20
Top Washer 2-8752	.....	42.50
Teflon Packing 2-8740Set (2)	.....	12.00
Grafoil B-1455Set(2)	.....	28.50
Polpak B-1431 (1)	.....	12.60
Bottom Washer 2-8755	.....	28.40
Removable Seat Gland 210915	.....	157.00
Lens Ring 210914	.....	39.50

### 60,000 psi

#### HF2, HF4, HF6 and HF9 Series Valves

Handle 2-151	.....	\$10.80
Locking Device 2-657	.....	11.10
Stem Assembly 2-7463	.....	70.40
Upper Stem Assembly 2-7981	.....	37.40
Lower Stem Kit 2-7427	.....	33.60
Top Washer 2-717 (416)	.....	9.00
Buna O-ring B-101	.....	3.90
Viton O-ring B-614	.....	5.40
Silicone O-ring B-149	.....	5.40
Packing Set Teflon/Nylon* 2-9689	.....	28.30
Teflon Packing B-195 (old style)	.....	5.40
Grafoil Packing B-1379	.....	7.50
Teflon/Viton 212401	.....	33.10
Bottom Washer 2-716	.....	7.70
Bottom Spacer 2-718 (old style)	.....	6.30
HF4 Removable Seat Gland 2-750	.....	95.40
HF6 Removable Seat Gland 2-751	.....	95.40
HF9 Removable Seat Gland 2-752	.....	95.40
Lower Regulating Stem Kit 2-9349	.....	33.60
Lens Ring 2-1238	.....	39.50

### Ball Check Valves

#### High Pressure (HF2, HF4, HF6, HF9)

Ball B-516 (440 SS)	.....	\$4.60
Ball Support 2-7900	.....	19.90
Spring B-551 (No Gasket Required)	.....	7.80

\* Standard unless otherwise specified

#### Line Filter Discs

##### HF2, HF4, HF6, HF9: (3 per set)

0.5 Micron B-1446Set	.....	\$33.30
2 Micron B-1447Set	.....	33.30
5 Micron B-1448Set	.....	33.30
10 Micron B-1407Set	.....	33.30
20 Micron B-1449Set	.....	33.30
40 Micron B-1408Set	.....	33.30
100 Micron B-1409Set	.....	33.30

#### Soft Seat Check Valves

##### HF2, HF4, HF6, HF9

Poppet 2-2272	.....	\$32.80
O-ring B-159 Buna	.....	4.00
O-ring B-152 Teflon	.....	4.00
O-ring B-870 Viton	.....	4.20
Spring B-551	.....	7.80
Gasket B-310 (60,000 psi only)	.....	7.50
Gasket B-552	.....	6.30

#### Safety Heads (Rupture Assemblies)

Hold Down Nut 2-204	.....	\$36.70
Hold Down Ring 2-130	.....	32.20

### Ultra High Pressure

#### 100,000 and 150,000 psi XF4 and XF6 Series Valves

Handle 2-754	.....	\$15.60
Locking Device 2-3144	.....	18.80
Stem Assembly 210127	.....	113.00
Top Washer 4-2485C (17-4 Ph)	.....	22.50
Nylon/Teflon Packing 2-8691	.....	24.70
Bottom Washer 2-716 (17-4 Ph)	.....	26.50
Packing Gland 4-2485D	.....	41.10
XF4 Removable Seat Gland 2-8519	.....	95.40
XF6 Removable Seat Gland 2-6785	.....	95.40

### Specialty Valves

#### Micro Control Valves

Lower Section Stem 2-7228	.....	\$107.00
Handle 2-754	.....	15.60
Top Washer 2-717	.....	9.00
Bottom Washer 2-716	.....	7.70
Bottom Spacer 2-718	.....	6.30
Buna O-ring B-101	.....	3.90
Viton O-ring B-614	.....	5.40
Silicone O-ring B-149	.....	5.40
Grafoil Packing B-1379	.....	7.50
Teflon/Nylon PackingSet 2-9689	.....	28.30

### 3/4" and 1" NPT Valves

Handle 2-8673	.....	\$15.40
Handle Collar 2-8680	.....	91.60
Packing Gland 2-8681	.....	112.00
Locking Device 2-8670	.....	14.10
Bearing Washer 2-8682	.....	23.70
Stem Sleeve 2-8683	.....	112.00
Upper Stem 2-8684	.....	93.50
Lower Stem 2-8685	.....	79.30
Bearing Washer 2-8686	.....	27.00
Top Washer 2-8756	.....	36.20
Teflon Packing 2-8741Set (2)	.....	12.90
Bottom Washer 2-8757	.....	36.20

#### Ball Valves

Handle 2-8642	.....	\$16.90
Roll Pin B-1509	.....	3.90
Handle Stop Collar 2-8643	.....	22.90
Stop Collar (3-way) 2-8730	.....	22.90
Stop Collar (Diverter) 2-8643	.....	22.90
Stem 2-8644	.....	42.20
Packing Gland 2-8645	.....	24.00
Locking Device 2-7733	.....	10.90
Top Packing Washer 2-7731	.....	10.90
Teflon Packing B-1392Set (2)	.....	12.20
Bottom Packing Washer 2-7732	.....	10.90
Bearing Washer 2-8646	.....	18.50
Body (2-way) 2-8641	.....	135.00
Body (3-way, Diverter) 2-8729	.....	156.00
0.485 Ball (2-way) 2-8647	.....	17.60
0.485 Ball (3-way) 2-8721	.....	23.20
0.485 Ball (Diverter) 2-8834	.....	26.50
Ball Seat 2-8648	.....	15.70
O-ring B-821	.....	5.10
Seat Gland	.....	51.00

#### Trunion Style Ball Valves

##### .187 Orifice

Handle 210285	.....	\$16.30
Set Screw 210242	.....	9.10
Stop Collar 210616	.....	22.90
Stop Collar 210217	.....	22.90
Stem 210229	.....	24.30
Panel Nut 209219-8	.....	21.40
Bearing Washer 210230	.....	12.40
O-Ring B01117	.....	4.50
Back Up Washer B01578	.....	4.50
Ball Seat Assembly 210233	.....	29.20
Ball Seat 210231	.....	13.60
Ball Seat Holder 210232	.....	17.20
Belleville Washer B01604	.....	3.20
Packing Washer 210234	.....	8.00
Back Up Washer 210286	.....	5.00
Body Bushing 210219	.....	8.00
Trunion 2-Way 210598	.....	46.90
Trunion 180° 210235	.....	46.90
Trunion Diverter 210360	.....	46.90
Bottom Bushing 210218	.....	8.00
Body 601934	.....	166.00
O-Ring B00823	.....	5.10
O-Ring B01032	.....	5.30
Seat Gland	.....	79.40
Bottom Gland	.....	72.20
Square Adapter 210672	.....	57.10



## Trunion Style Ball Valves

### .375 Orifice

Handle 210285	.....	\$16.30
Set Screw 210242	.....	.9.10
Stop Collar 210616	.....	.22.90
Stop Collar 210217	.....	.22.90
Stem 210229	.....	.24.30
Panel Nut 209219-8	.....	.21.40
Bearing Washer 210230	.....	.12.40
O-Ring B01117	.....	.4.50
Back Up Ring B01578	.....	.4.50
Ball Seat Assembly 210220	.....	.46.90
Ball Seat 210221	.....	.25.60
Ball Seat Holder 210222	.....	.22.90
Belleville Washer B01605	.....	.4.20
Packing Washer 210223	.....	.8.80
Back Up Washer 210288	.....	.5.50
Body Bushing 210219	.....	.8.00
Trunion 2-Way 210599	.....	.51.00
Trunion 180° 210224	.....	.51.00
Trunion Diverter 210359	.....	.51.00
Bottom Bushing 210218	.....	.8.00
Body 601935	.....	.202.00
O-Ring B01584	.....	.5.90
O-Ring B01583	.....	.5.40
O-Ring B00809	.....	.5.20
Seat Gland	.....	.93.50
Bottom Gland	.....	.86.50
Square Adapter 210672	.....	.57.10

## Air Operated Valves

### Hipco Air Operated Valves

#### Normally Closed - air to open

Spring B-1397 60,000 psi,		
30,000 psi and Taper Seal	...	\$.47.20
Spring B-1428 20,000 psi series		.47.20
O-ring B-1350Set (2)	.....	.17.00
O-ring B-105	.....	.5.10

#### Normally Open - air to close

Spring B-395	.....	\$.21.50
O-ring B-105	.....	.5.10

#### 10,000 psi Series (AF4 and AF6)

Stem 2-7624	.....	\$.82.80
Packing Gland 2-7525	.....	.58.10
Locknut B-1225	.....	.6.50

#### 30,000 psi Series

Stem 2-7622	.....	\$.82.80
Packing Gland 2-7525	.....	.58.10
Locknut B-1225	.....	.6.50

#### 60,000 psi Series

Stem 2-9426	.....	\$.82.80
Packing Gland 2-7525	.....	.58.10
Locknut B-1225	.....	.6.50

#### LF4 and LF6 Series

Stem 2-8215	.....	\$.84.80
Packing Gland 2-8217	.....	.55.90
Locknut 2-2480	.....	.12.40

## LF9 Series (rated 10,000 psi)

Upper Stem 2-8799	.....	\$.49.60
Lower Stem 2-7467	.....	.42.30
Packing Gland 2-8822	.....	.58.10
Locknut 2-8390	.....	.12.40
Diaphragm B-1356	.....	.20.40
Snap Ring B-1351Set (2)	.....	.8.20
Support Washer 2-7526	.....	.13.90
Hex Nut (Nylok) B-1354	.....	.5.00

## Remarco Air Operated Valves

### Normally Closed - air to open

#### "SD" Series

Spring B-780	.....	\$.64.50
Diaphragm B-828	.....	.33.30
Gasket B-451	.....	.10.20

### Normally Open - air to close

#### "D" Series

Spring B-395	.....	\$.21.50
Diaphragm B-828	.....	.33.30
Gasket B-451	.....	.10.20

#### 10,000 psi Series

Stem 2-4324	.....	\$.82.80
Top Packing Washer 2-1764	...	.15.90
Teflon Packing B-185Set (2)	...	.15.60
Polypak B-1406	.....	.12.80
Bottom Packing Washer 2-1764	...	.15.90
Lens Ring 2-4325	.....	.39.50
Removable Seat Gland 2-898	...	.95.40

#### 20,000 psi Series

Spring (Normally Closed)		
B-1068	.....	\$.154.00
Spring (Normally Open)		
B-395	.....	.21.50
Diaphragm B-828	.....	.33.30
Gasket B-451	.....	.10.20
Stem 2-4324	.....	.82.80
Top Packing Washer 2-1764	...	.15.90
Teflon Packing B-185Set (2)	...	.15.60
Bottom Packing Washer 2-1764	...	.15.90
Lens Ring 2-4325	.....	.39.50
Removable Seat Gland 2-8208	...	.95.40

#### 30,000 psi Series

Stem 2-2890	.....	\$.82.80
Top Packing Washer 2-154	...	.9.00
Teflon Packing B-181	.....	.5.40
Bottom Packing Washer 2-156	...	.7.70
Spacer 2-155	.....	.6.30
Packing Set Teflon/Nylon 210291	...	.28.30
Lens Ring 2-753	.....	.39.50
HF4 Removable Seat Gland		
2-750	.....	.95.40
HF6 Removable Seat Gland		
2-751	.....	.95.40
HF9 Removable Seat Gland		
2-752	.....	.95.40

## 60,000 psi Series

Stem 2-2886	.....	\$.82.80
Top Packing Washer 2-717	...	.9.00
Teflon Packing B-195	.....	.5.40
Bottom Packing Washer 2-716	...	.7.70
Spacer 2-718	.....	.6.30
Packing Set Teflon/Nylon 2-9689	...	.28.30
Lens Ring 2-1238	.....	.39.50
HF4 Removable Seat Gland		
2-750	.....	.95.40
HF6 Removable Seat Gland		
2-751	.....	.95.40
HF9 Removable Seat Gland		
2-752	.....	.95.40
Grafoil Packing B-1379	.....	.7.50

## 100,000 psi Series

Stem 2-5432 A	.....	\$.82.80
Packing Set Teflon/Nylon		
2-9689	.....	.23.30
Top Packing Washer 2-717	...	.9.00
Teflon Packing B-195	.....	.5.40
Bottom Packing Washer 2-716	...	.7.70
Spacer 2-718	.....	.6.30
Lens Ring 2-5434	.....	.41.20
XF4 Removable Seat Gland		
2-8519	.....	.95.40
XF6 Removable Seat Gland		
2-6785	.....	.95.40

## Complete Lower Section Valve Assemblies, Including Body, Stem, Packing Components, etc. for assembly to existing Air Operator.

30R-12HF4R Lower Unit	...	\$.512.00
30R-12HF6R Lower Unit	...	.512.00
30R-12HF9R Lower Unit	...	.591.00
10R-12LF9R Lower Unit	...	.591.00
20R-12LF9R Lower Unit	...	.638.00
60R-12HF4R Lower Unit	...	.512.00
60R-12HF6R Lower Unit	...	.512.00
60R-12HF9R Lower Unit	...	.591.00
100R-12XF6R Lower Unit	...	.880.00
10R-12HF9R Lower Unit	...	.512.00

## Relief Valves

### Assembly 4-2633

Stem 2-8545	.....	\$.63.60
Viton O-ring B-821	.....	.5.10
Removable Seat Gland 2-3502	...	.95.30
2-8554 Stem Seat	.....	.35.50

## Seal Ring Seat

2-8547 - 3,000 to 10,999 psi	...	\$.72.70
2-8537 - 11,000 to 20,999 psi	...	.72.70
2-8548 - 21,000 to 30,000 psi	...	.72.70
210857 - 30,001 to 45,000 psi	...	.72.70
210858 - 45,001 to 60,000 psi	...	.72.70



## High Temperature Valves 30,000 psi Series

Handle 2-151	.....	\$10.80
Stem Assembly 2-10154	.....	119.00
Packing Gland 2-152	.....	23.50
Locking Device Collar 2-7450	..	22.40
High Temperature Housing 2-6880	.....	85.80
Top Packing Washer 2-188	....	15.40
Bottom Packing Washer 2-187	..	11.70
Grafoil Packing B-1357Set (3)	..	11.10
Gasket 213534	.....	21.00

## 20,000 psi Series (LF4 and LF6)

Handle 2-151	.....	\$10.80
Stem Assembly 2-8262	.....	120.00
Packing Gland 2-7730	.....	23.50
Locking Device 2-7733	.....	10.90
High Temperature Housing 2-8264	.....	85.80
Top Packing Washer 2-7731	..	10.90
Bottom Packing Washer 2-7732	..	10.90
Grafoil Packing B-1391Set (2)	.....	11.30
Seal Ring 2-8265	.....	35.40

## 20,000 psi Series (LF9)

Handle 2-754	.....	\$15.60
Stem Assembly 2-8387	.....	147.00
Packing Gland 2-7737	.....	32.20
Locking Device 2-7734	.....	10.90
High Temperature Housing 2-8389	.....	85.80
Top Packing Washer 2-7738	..	13.50
Bottom Packing Washer 2-7342	..	12.00
Grafoil Packing B-1386Set (2)	.....	11.30
Seal Ring 2-8391	.....	40.30

## Pressure Generators

### Model 87-6-5

Shaft 2-450 (7/8)	.....	\$419.00
Nut 2-1482	.....	436.00
Top Packing Washer 2-7357	..	41.00
Teflon Packing B-208*	.....	32.80
Bottom Washer 2-7358	.....	36.70
Polypak Seal B-1369Set (2)*	..	32.80

### Model 62-6-10

Shaft 2-450 (5/8)	.....	\$419.00
Nut 2-1482	.....	436.00
Top Packing Washer 2-6203	..	41.00
Teflon Packing B-201*	.....	32.80
Bottom Washer 2-1773	.....	36.70
Polypak Seal B-1370Set (2)*	..	32.80

### Model 50-6-15

Shaft 2-450 (1/2)	.....	\$419.00
Nut 2-1482	.....	436.00
Top Packing Washer 2-5408	..	41.00
Teflon Packing B-1066*	.....	32.80
Bottom Washer 2-5410	.....	36.70
Polypak Seal B-1371Set (2)*	..	32.80

### Model 37-6-30

Shaft 2-450 (3/8)	.....	\$419.00
Nut 2-1482	.....	436.00
Top Packing Washer 2-6234	..	41.00
Teflon Packing B-1142	.....	32.80
Bottom Washer 2-6235	.....	36.70
Polypak Seal B-1372Set (2)*	..	32.80

### Model 112-5.75-5

Shaft 2-8127	.....	\$221.00
Top Packing Washer 2-8136	..	61.00
Polypak Seal B-1396Set (2)*	..	32.80
Teflon Packing B-1398*	.....	32.80
Bottom Washer 2-8220	.....	49.30

### Model 81-5.75-10

Shaft 2-8128	.....	\$221.00
Top Packing Washer 2-8137	..	61.00
Polypak Seal B-1401Set (2)*	..	32.80
Teflon Packing B-1399	.....	32.80
Bottom Washer 2-8221	.....	49.30

### Model 68-5.75-15

Shaft 2-8129	.....	\$221.00
Top Packing Washer 2-8138	..	61.00
Polypak Seal B-1402Set (2)*	..	32.80
Teflon Packing B-1400	.....	32.80
Bottom Washer 2-8222	.....	49.30

### Model 50-5.75-30

Shaft 2-8130	.....	\$221.00
Top Packing Washer 2-8139	..	61.00
Polypak Seal B-1371Set (2)*	..	32.80
Teflon Packing B-1066	.....	32.80
Bottom Washer 2-5410	.....	36.70

### Model 37-5.75-60

Shaft 2-4861	.....	\$221.00
Top Packing Washer 2-5853	..	61.00
Polypak Seal B-1373Set (2)*	..	32.80
Teflon Packing B-777Set (6)	..	32.80
Bottom Washer 2-4117	.....	16.20

### Model 31-5.75-75

Shaft 2-8749	.....	\$221.00
Top Packing Washer 2-8750	..	61.00
Polypak Seal B-1418Set (2)	..	32.90

### Model 25-5.75-100

Shaft 2-9619	.....	\$461.00
Top Packing Washer 2-8765	..	61.00
Polypak Seal B-1419Set (2)	..	32.90

\* Note: Polypak packing is supplied as standard and requires no bottom packing washer. When teflon packing is used, a bottom packing washer must be installed.

## Valves Spare Part Kits

### Taper Seal

#### Hand Valves/Check Valves

<b>15-AF1-RK</b>	\$ 67.40
Stem Assembly 202645	
Top Washer 200267	
Packing B00195	
Bottom Washer 200266	

<b>15-15AF1-RK</b>	\$ 136.00
--------------------	-----------

Stem Assembly 202645 (2)	
Top Washer 200267 (2)	
Packing B00195 (2)	
Bottom Washer 200266 (2)	

<b>15-AF2-RK</b>	\$ 67.60
------------------	----------

Stem Assembly 202645	
Top Washer 200267	
Packing B00195	
Bottom Washer 200266	

<b>15-15AF2-RK</b>	\$ 136.00
--------------------	-----------

Stem Assembly 202645 (2)	
Top Washer 200267 (2)	
Packing B00195 (2)	
Bottom Washer 200266 (2)	

<b>10-AF4/6-RK</b>	\$ 79.60
--------------------	----------

Stem Assembly 207461	
Top Washer 200154	
Packing B00181	
Bottom Washer 200156	

<b>10-15AF4/6-RK</b>	\$ 160.00
----------------------	-----------

Stem Assembly 207461 (2)	
Top Washer 200154 (2)	
Packing B00181 (2)	
Bottom Washer 200156 (2)	

<b>15-41AF1/2-RK</b>	\$ 34.20
----------------------	----------

Ball B00521	
Ball Support 207900	
Spring B00551	
Gasket B00552	

<b>15-41AF1T/2T-RK</b>	\$ 45.50
------------------------	----------

Poppet 202272	
O-Ring (Buna) B00159	
Spring B00551	
Gasket B00552	

<b>10-41AF4/6-RK</b>	\$ 34.20
----------------------	----------

Ball B00521	
Ball Support 207900	
Spring B00551	
Gasket B00552	

<b>10-41AF4T/6T-RK</b>	\$ 45.50
------------------------	----------

Poppet 202272	
O-Ring (Buna) B00159	
Spring B00551	
Gasket B00552	



## Medium Pressure

### Hand Valves

<b>20-LF4/6-RK</b>	\$ 76.40
Stem Assembly 207729 Top Washer 207731 Packing B01392 (2) Bottom Washer 207732	
<b>20-LF4R/6R-RK</b>	\$ 113.00
Stem Assembly 207729 Top Washer 207731 Packing B01392 (2) Bottom Washer 207732 Lens Ring 208432	
<b>20-15LF4/6-RK</b>	\$ 150.00
Stem Assembly 207729 (2) Top Washer 207731(2) Packing B01392 (4) Bottom Washer 207732 (2)	
<b>20-LF9-RK</b>	\$ 60.70
Stem Assembly 208278	
<b>20-LF9-R-RK</b>	\$ 103.00
Stem Assembly 208278 Lens Ring 200897	
<b>20-15LF9-RK</b>	\$ 122.00
Stem Assembly 208278 (2)	
<b>20-LF12-RK</b>	\$ 116.00
Stem Assembly 208679 Top Washer 208754 Packing 208740 (2) Bottom Washer 208755	
<b>20-15LF12-RK</b>	\$ 231.00
Lower Stem 208679 (2) Top Washer 208754 (2) Packing 208740 (4) Bottom Washer 208755 (2)	
<b>20-12LF12-R-RK</b>	\$ 161.00
Lower Stem 208679 Top Washer 208754 Packing 208740 (2) Bottom Washer 208755 Lens Ring 209279	
<b>20-LF16-RK</b>	\$ 150.00
Lower Stem 208685 Top Washer 208756 Packing 208741 (2) Bottom Washer 208757	
<b>20-15LF16-RK</b>	\$ 299.00
Lower Stem 208685 (2) Top Washer 208756 (2) Packing 208741 (4) Bottom Washer 208757 (2)	

<b>20-12LF16-R-RK</b>	\$ 206.00
Lower Stem 208685 Top Washer 208756 Packing 208741(2) Bottom Washer 208757 Lens Ring 209972	

## Medium Pressure

### Check Valves

<b>20-41LF4/6-RK</b>	\$ 34.20
Ball B00521 Ball Support 207900 Spring B00551 Gasket B00552	
<b>20-41LF4T/6T-RK</b>	\$ 45.50
Poppet 202272 O-Ring (Buna) B00159 Spring B00551 Gasket B00552	
<b>20-41LF9-RK</b>	\$ 62.30
Ball B00522 Ball Support 207901 Spring B00958 Gasket B00959	
<b>20-41LF9T-RK</b>	\$ 62.30
Poppet 204740 O-Ring (Buna) B00104 Spring B00958 Gasket B00959	
<b>20-41LF12-RK</b>	\$ 242.00
Cover 209401 Ball B01461 Spring B01439 Ball Support 209532	
<b>20-41LF12-T-RK</b>	\$ 280.00
Cover 209401 O-Ring B02003 Spring B01439 Poppet 209275	
<b>20-41LF16-RK</b>	\$ 238.00
Cover 209085-H1150 Ball B01470 Spring B01429 Ball Support 209554	
<b>20-41LF16-T-RK</b>	\$ 277.00
Cover 209085-H1150 O-Ring B01421 Spring B01429 Poppet 209086	

## High Pressure

### Hand Valves

<b>30-HF2-RK</b>	\$ 67.70
Stem Assembly 202645 Top Washer 200267 Packing B00195 Bottom Washer 200266	
<b>30-15HF2-RK</b>	\$ 136.00
Stem Assembly 202645 (2) Top Washer 200267 (2) Packing B00195 (2) Bottom Washer 200266 (2)	
<b>30-HF4/6/9-RK</b>	\$ 89.00
Stem Assembly 207462 Top Washer 200154 Packing B00181 Bottom Washer 200156 Bottom Spacer 200155	
<b>30-HF4/6/9R-RK</b>	\$ 126.00
Stem Assembly 207462 Top Washer 200154 Packing B00181 Bottom Washer 200156 Bottom Spacer 200155 Lens Ring 200753	
<b>30-15HF4/6/9-RK</b>	\$ 179.00
Stem Assembly 207462 (2) Top Washer 200154 (2) Packing B00181 (2) Bottom Washer 200156 (2) Bottom Spacer 200155 (2)	
<b>60-HF2/4/6/9-RK</b>	\$ 105.00
Stem Assembly 207463 Top Washer 200717 Packing Set 209689 Bottom Washer 200716	
<b>60-HF2/4/6/9R-RK</b>	\$ 141.00
Stem Assembly 207463 Top Washer 200717 Packing Set 209689 Bottom Washer 200716 Lens Ring 201238	
<b>60-15HF2/4/6/9-RK</b>	\$ 210.00
Stem Assembly 207463 (2) Top Washer 200717 (2) Packing Set 209689 (2) Bottom Washer 200716 (2)	

## High Pressure

### 30,000 PSI Check Valves

<b>30-41HF2/4/6/9T-R</b>	\$ 28.80
Poppet 202272 O-Ring (Buna) B00159 Spring B00551 Gasket B00552	

## High Pressure

### 60,000 PSI Check Valves

**60-41HF2/4/6/9-RK** \$ 28.80

Ball B00516  
Ball Support 207900  
Spring B00551

**60-41HF/4/6/9T-RK** \$ 45.50

Poppet 202272  
O-Ring (Buna) B00159  
Spring B00551  
Gasket B00310

## Ultra High Pressure

### Manual Valves

**100-XF4/150-XF6-RK** \$ 153.00

Stem Assembly 210127  
Top Washer 402485C  
Packing 208691 (3)  
Bottom Washer 200716

**100-15XF4-RK** \$ 304.00

Stem Assembly 210127 (2)  
Top Washer 402485C (2)  
Packing 208691 (6)  
Bottom Washer 200716 (2)

**150-15XF6-RK** \$ 304.00

Stem Assembly 210127 (2)  
Top Washer 402485C (2)  
Packing 208691 (6)  
Bottom Washer 200716 (2)

**100-12XF4-R-RK** \$ 187.00

Stem Assembly 210127  
Top Washer 402485C  
Packing 208691 (3)  
Bottom Washer 200716  
Lens Ring 205434

**150-12XF6-R-RK** \$ 187.00

Stem Assembly 210127  
Top Washer 402485C  
Packing 208691 (3)  
Bottom Washer 200716  
Lens Ring 205434

## Ball Valves

### Trunion Ball Valves .187 2-Way

**20-71BV-RK** \$ 147.00

O-Ring B01117 (3)  
Back-up Ring B01578  
Ball Seat Assembly 210233 (2)  
Packing Washer 210234 (2)  
Back-up Washer 210286 (4)  
Trunion 210598  
O-Ring B00823 (2)  
O-Ring B01032

### Trunion Ball Valves .375 2-Way

**15-74BV-RK** \$ 190.00

O-Ring B01117  
Back-up Ring B01578  
Ball Seat Assembly 210220 (2)  
Packing Washer 210223 (2)  
Back-up Washer 210288 (4)  
Trunion 210599  
O-Ring B01584 (2)  
O-Ring B01583  
O-Ring B00809 (2)

### Trunion Ball Valves .500 2-Way

**10-80BV-RK** \$ 313.00

O-Ring B01101  
Back-up Ring B01790  
Ball Seat Assembly 211096 (2)  
Packing Washer 211103 (2)  
Back-up Washer 211105 (4)  
Trunion 211097  
O-Ring B01893 (3)  
O-Ring B01340 (2)

### Trunion Ball Valves .187 3-Way 90°

**20-73BV-RK** \$ 147.00

O-Ring B01117 (3)  
Back-up Ring B01578  
Ball Seat Assembly 210233 (2)  
Packing Washer 210234 (2)  
Back-up Washer 210286 (4)  
Trunion 210360  
O-Ring B00823 (2)  
O-Ring B01032

### Trunion Ball Valves .375 3-Way 90°

**15-76BV-RK** \$ 190.00

O-Ring B01117  
Back-up Ring B01578  
Ball Seat Assembly 210220 (2)  
Packing Washer 210223 (2)  
Back-up Washer 210288 (4)  
Trunion 210359  
O-Ring B01584 (2)  
O-Ring B01583  
O-Ring B00809 (2)

### Trunion Ball Valves .500 3-Way 90°

**10-82BV-RK** \$ 333.00

O-Ring B01101  
Back-up Ring B01790  
Ball Seat Assembly 211096 (2)  
Packing Washer 211103 (2)  
Back-up Washer 211105 (4)  
Trunion 211676  
O-Ring B01893 (3)  
O-Ring B01340 (2)

### Trunion Ball Valves .187 3-Way 180°

**20-72BV-RK** \$ 147.00

O-Ring B01117 (3)  
Back-up Ring B01578  
Ball Seat Assembly 210233 (2)  
Packing Washer 210234 (2)  
Back-up Washer 210286 (4)  
Trunion 210235  
O-Ring B00823 (2)  
O-Ring B01032

### Trunion Ball Valves .375 3-Way 180°

**15-75BV-RK** \$ 190.00

O-Ring B01117  
Back-up Ring B01578  
Ball Seat Assembly 210220 (2)  
Packing Washer 210223 (2)  
Back-up Washer 210288 (4)  
Trunion 210224  
O-Ring B01584 (2)  
O-Ring B01583  
O-Ring B00809 (2)

### Trunion Ball Valves .500 3-Way 180°

**10-81BV-RK** \$ 333.00

O-Ring B01101  
Back-up Ring B01790  
Ball Seat Assembly 211096 (2)  
Packing Washer 211103 (2)  
Back-up Washer 211105 (4)  
Trunion 211675  
O-Ring B01893 (3)  
O-Ring B01340 (2)

### Free-Floating Ball Valves

**10/15/2016BV-RK** \$ 118.00

O-Ring B00821 (2)  
Stem 208644  
Top Packing Washer 207731-AM45  
Packing B01392 (2)  
Bottom Packing Washer 207732  
Bearing Washer 208646  
Ball 208647  
Ball Seat 208648 (2)

## Relief Valves/Factory Set

**402633-03-RK** \$ 95.00

O-Ring B00821  
Stem Seat 208554  
Seal Ring 208547

**402633-10-RK** \$ 95.00

O-Ring B00821  
Stem Seat 208554  
Seal Ring 208547

**402633-20-RK** \$ 95.00

O-Ring B00821  
Stem Seat 208554  
Seal Ring 208537



**402633-30-RK** \$ 95.00  
 O-Ring B00821  
 Stem Seat 208554  
 Seal Ring 208548

**402633-45-RK** \$ 95.00  
 O-Ring B00821  
 Stem Seat 208554  
 Seal Ring 210857

**402633-60-RK** \$ 95.00  
 O-Ring B00821  
 Stem Seat 208554  
 Seal Ring 210858

### Relief Valves/ Field Adjustable

**HIP10RV-RK** \$ 63.00  
 O-Ring B01635  
 Nylon Seat 210368  
 Spring B01622  
 Washer 210365  
 O-Ring B01619  
 Packing 210451  
 Washer 210450

**HIP20RV-RK** \$ 63.00  
 O-Ring B01635  
 Nylon Seat 210368  
 Spring B01622  
 Washer 210365  
 O-Ring B01619  
 Packing 210451  
 Washer 210450

### MINI HIPPO Air Operated Valves

**MH-AF2-RK** \$ 88.40  
 Stem 209426  
 Top Washer 200717  
 Packing B000195  
 Bottom Washer 200716

**MH-AF4/6-RK** \$ 88.40  
 Stem 207624  
 Top Washer 200154  
 Packing B000181  
 Bottom Washer 200156

**MH-HF4/6/9-RK** \$ 88.40  
 Stem 207622  
 Top Washer 200154  
 Packing B000181  
 Bottom Washer 200156  
 Bottom Spacer 200155

### HIPCO Air Operated Valves

**HIPCO-AF4/6-RK** \$ 105.00  
 Stem 207624  
 Top Washer 200154  
 Packing B000181  
 Bottom Washer 200156  
 Diaphragm B01356

**HIPCO-LF4/6-RK** \$ 116.00  
 Stem 208215  
 Top Washer 207731  
 Packing B01392 (2)  
 Bottom Washer 207732  
 Diaphragm B01356

**HIPCO-LF4R/6R-RK** \$ 147.00  
 Stem 208215  
 Top Washer 207731  
 Packing B01392 (2)  
 Bottom Washer 207732  
 Diaphragm B01356  
 Lens Ring 208432

**HIPCO-LF9-RK** \$ 88.90  
 Lower Stem 207467  
 Stem Pin 207983  
 Top Washer 207738  
 Packing 207341 (2)  
 Bottom Washer 207732  
 Diaphragm B01356

**HIPCO-LF9R-RK** \$ 120.00  
 Lower Stem 207467  
 Stem Pin 207983  
 Top Washer 207738  
 Packing Set 207341 (2)  
 Bottom Washer 207342  
 Diaphragm B01356  
 Lens Ring 200897

**HIPCO-30-RK** \$ 109.00  
 Stem 207622  
 Top Washer 200154  
 Packing B00181  
 Bottom Washer 200156  
 Bottom Spacer 200155  
 Diaphragm B01356

**HIPCO-30R-RK** \$ 140.00  
 Stem 207622  
 Top Washer 200154  
 Packing B00181  
 Bottom Washer 200156  
 Bottom Spacer 200155  
 Diaphragm B01356  
 Lens Ring 200753

**HIPCO-60-RK** \$ 122.00  
 Stem 209426  
 Top Washer 200717  
 Packing Set 209689  
 Bottom Washer 200716  
 Diaphragm B01356

**HIPCO-60R-RK** \$ 153.00  
 Stem 209426  
 Top Washer 200717  
 Packing Set 209689  
 Bottom Washer 200716  
 Diaphragm B01356  
 Lens Ring 201238

### HIPPO Air Operated Valves (MPO & HPO)

**HIPPO-AF4/6-RK** \$ 88.40  
 Stem 212033  
 Top Washer 200154  
 Packing B00181  
 Bottom Washer 200156

**HIPPO-LF4/6-RK** \$ 102.00  
 Stem 211536  
 Top Washer 207731  
 Packing B01392 (2)  
 Bottom Washer 207732

**HIPPO-LF4R/6R-RK** \$ 133.00  
 Stem 211536  
 Top Washer 207731  
 Packing B01392 (2)  
 Bottom Washer 207732  
 Lens Ring 208432

**HIPPO-LF9-RK** \$ 73.10  
 Lower Stem 207467  
 Stem Pin 207983  
 Top Washer 207738  
 Packing Set 207341 (2)  
 Bottom Washer 207342

**HIPPO-LF9R-RK** \$ 104.00  
 Lower Stem 207467  
 Stem Pin 207983  
 Top Washer 207738  
 Packing Set 207341 (2)  
 Bottom Washer 207342  
 Lens Ring 200897

**HIPPO-30-RK** \$ 93.10  
 Stem 211527  
 Top Washer 200154  
 Packing B00181  
 Bottom Washer 200156  
 Bottom Spacer 200155

**HIPPO-30R-RK** \$ 124.00  
 Stem 211527  
 Top Washer 200154  
 Packing B00181  
 Bottom Washer 200156  
 Bottom Spacer 200155  
 Lens Ring 200753

**HIPPO-60-RK** \$ 146.00  
 Stem 211539  
 Top Washer 200717  
 Packing Set 209689  
 Bottom Washer 200716

**HIPPO-60R-RK** \$ 177.00

Stem 211539  
Top Washer 200717  
Packing Set 209689  
Bottom Washer 200716  
Lens Ring 201238

---

**NPT Hand Valves**

**10-NFA/B/C-RK** \$ 83.60

Stem Assembly 207462  
Top Washer 200154  
Packing B00181  
Bottom Washer 200156  
Bottom Spacer 200155

**10-NFD-RK** \$ 129.00

Stem 203976  
Top Washer 203524  
Packing B00185 (2)  
Bottom Washer 201764

**15FNFA/B-RK** \$ 71.80

Stem 207729  
Top Washer 207731  
Packing B01392 (2)  
Bottom Washer 207732

**15FNFC/D-RK** \$ 57.00

Stem Assembly 208278

**10FNFF/H-RK** \$ 141.00

Lower Stem 208685  
Top Washer 208756  
Packing 208741 (2)  
Bottom Washer 208757

---

**HIPCO NPT Air Operated Valves**

**HIPCO10NFA-RK** \$ 105.00

Stem 207622  
Top Washer 200154  
Packing B00181  
Bottom Washer 200156  
Bottom Spacer B01356

**HIPCO10NFB-RK** \$ 105.00

Stem 207622  
Top Washer 200154  
Packing B00181  
Bottom Washer 200156  
Bottom Spacer B01356

**HIPCO10NFC-RK** \$ 105.00

Stem 207622  
Top Washer 200154  
Packing B00181  
Bottom Washer 200156  
Diaphragm B01356

**HIPCO15NFA/B-RK** \$ 116.00

Stem 208215  
Top Washer 207731  
Packing B01392 (2)  
Bottom Washer 207732  
Diaphragm B01356

**HIPCO15FNFC/D-RK** \$ 88.90

Lower Stem 207467  
Stem Pin 207983  
Top Washer 207738  
Packing Set 207341 (2)  
Bottom Washer 207342  
Diaphragm B01356

---

**HIPPO NPT Air Operated Valves (MPO & HPO)**

**HIPPO-15FNFA/B-RK** \$ 102.00

Stem 211536  
Top Washer 207731  
Packing B01392 (2)  
Bottom Washer 207732

**HIPPO-15FNFC/D-RK** \$ 73.10

Lower Stem 207467  
Stem Pin 207983  
Top Washer 207738  
Packing Set 207341 (2)  
Bottom Washer 207342



**High Pressure Equipment Company**

P.O. Box 8248, 1222 Linden Avenue  
Erie, Pennsylvania 16505 U.S.A.  
Phone: (814) 838-2028 • 1-800-289-7447  
Fax: (814) 838-6075  
E-Mail: sales@highpressure.com  
Web Site: www.highpressure.com

**High Pressure Equipment Company**  
reserves the right to alter the prices provided  
in this publication without prior notice.

© 2012+A38 High Pressure Equipment Company  
Domestic price list