

# DBB 'B' Series Manifold

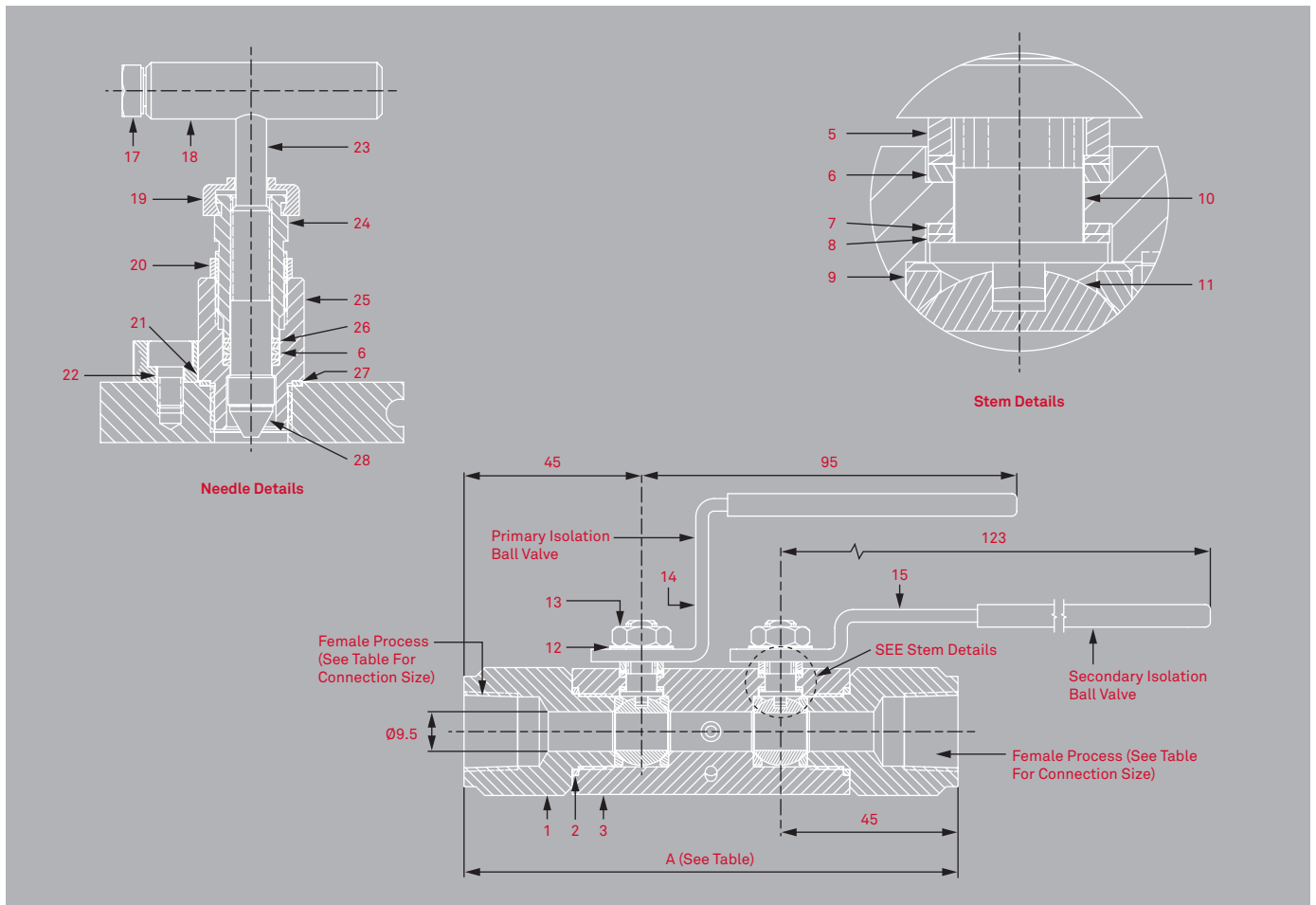
Overview

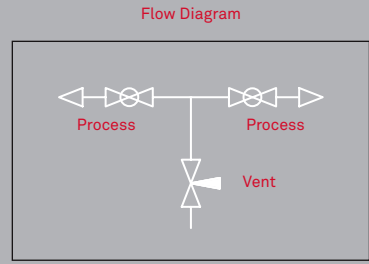
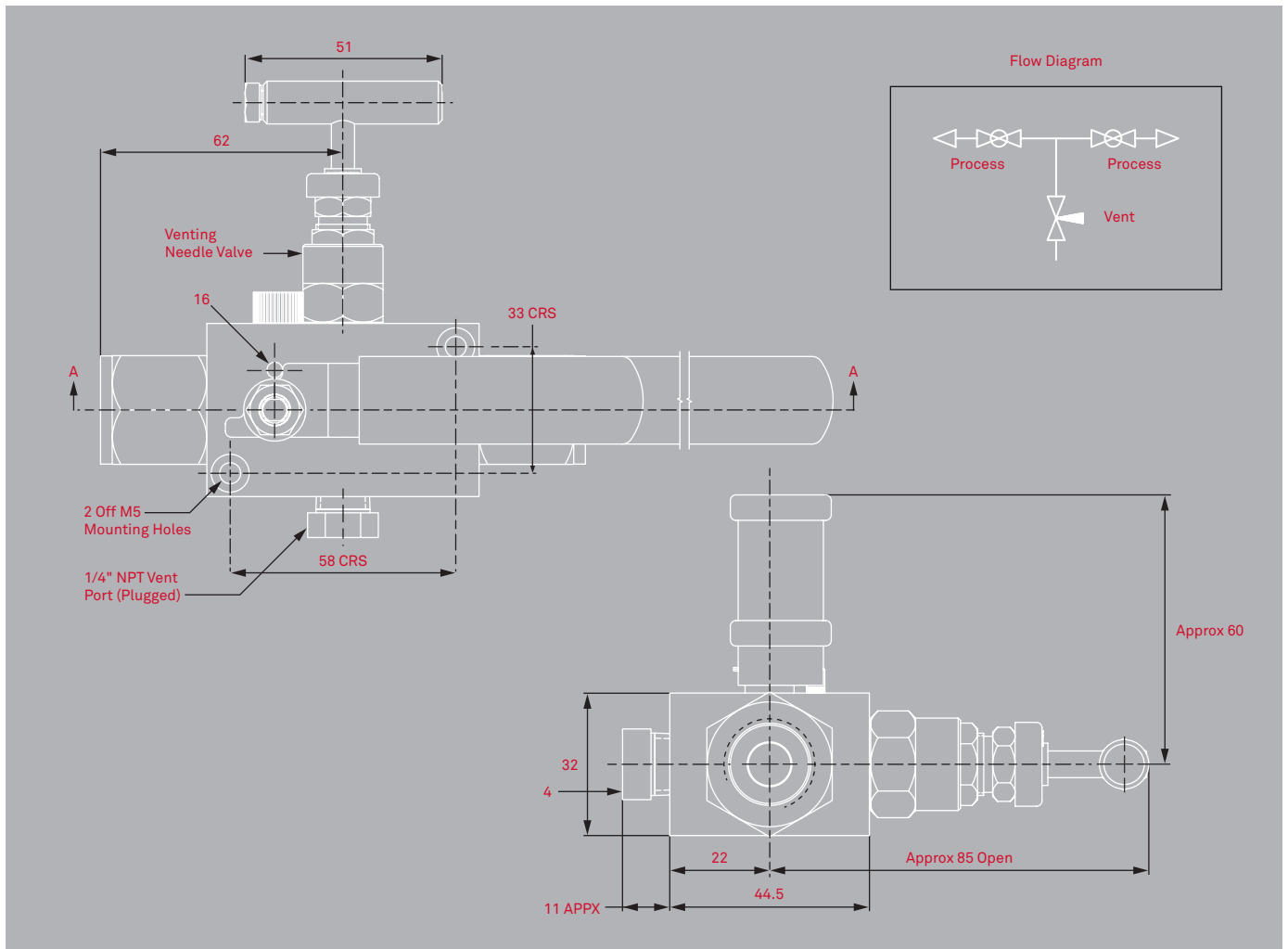
## Double Block & Bleed (Ball, Needle, Ball) 6,000 PSI

The Double Block & Bleed Manifold is fully approved to be supplied to many of the world's oil majors. The design provides an economical method for mounting gauges with facility to test and calibrate gauges and pressure switches. The DBB 'B' series offers roddability due to its straight through flow passage. The vent valve incorporating the long service firesafe 'N' series needle valve, graphite multi-ring piston style packing and back sealing facility. Mounting holes supplied as standard for wall or bracket mounting.

Design Features

- Bi-directional floating ball design to ensure leak-proof shut-off on pressure or vacuum
- 90° smooth action, low torque operation
- Vent valve metal to metal body bonnet seal for high pressure and high temperature sealing
- Anti-blowout internally loaded stem for extra safety
- Flexible 3 piece design for easy maintenance
- Temperature range -40°C to 150°C
- Firesafe design
- Repair/service kits available to extend service life further
- Available in 316/316L
- Full material traceability
- Handle indicates OPEN/CLOSED position at a glance
- Materials of construction supplied to meet the requirements of NACE MR 0175





Item No.	Description	Material	Quantity
1	END CONNECTOR	A479 UNS S31600	2
2	BODY SEAL	GRAPHITE	2
3	MANIFOLD BODY	A479 UNS S31600	1
4	1/4" NPT BLANK PLUG	A479 UNS S31600	1
5	SPACER	UNS S31600	2
6	GLAND PACKING	GRAPHITE	6
7	GLAND PACKING	GRAPHITE	2
8	ANTI-EXTRUSION SEAL	PEEK	4
9	SEAT	PVDF	4
10	STEM	A479 UNS S31600	2
11	BALL	A479 UNS S31600	2
12	BELLEVILLE WASHER	ST/ST	4
13	STEM NUT	A4 ST/ST	2
14	VALVE HANDLE (2)	UNS S31600	1
15	VALVE HANDLE (1)	UNS S31600	1
16	STOP PIN	UNS S31600	2
17	M6 HANDLE BOLT	A4 ST/ST	1
18	"T" HANDLE	UNS S31600	1
19	VENT DUST CAP	PVC	1
20	GLAND LOCKNUT	UNS S31600	1
21	LOCKING CAM	UNS S31600	1
22	CAM SCREW	A4 ST/ST	1
23	NEEDLE STEM	A479 UNS S31600	1
24	GLAND ADJUSTER	UNS S31600	1
25	BONNET HOUSING	A479 UNS S31600	1
26	STEM SEAL	RTFE	1
27	BONNET SEAL	UNS S31600	1
28	VALVE TIP	A564 UNS S17400	1

Components Key

Part no.	Connection size	A	CV	Weight
EDBB-BNB-BV4NS-PM-FS	1/2" NPT	125	13.9	1.25Kg

# DBB 'N' Series Manifold

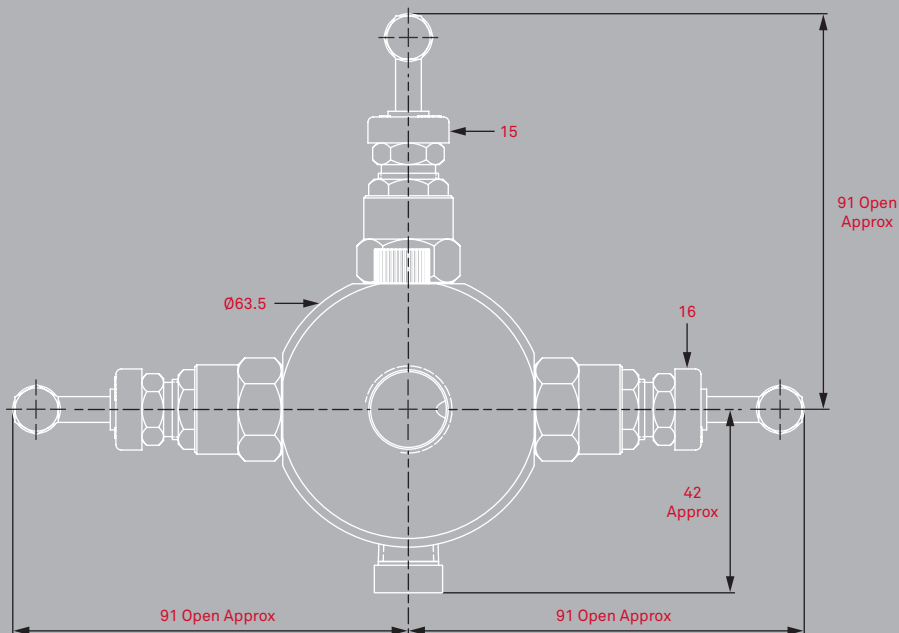
## Overview

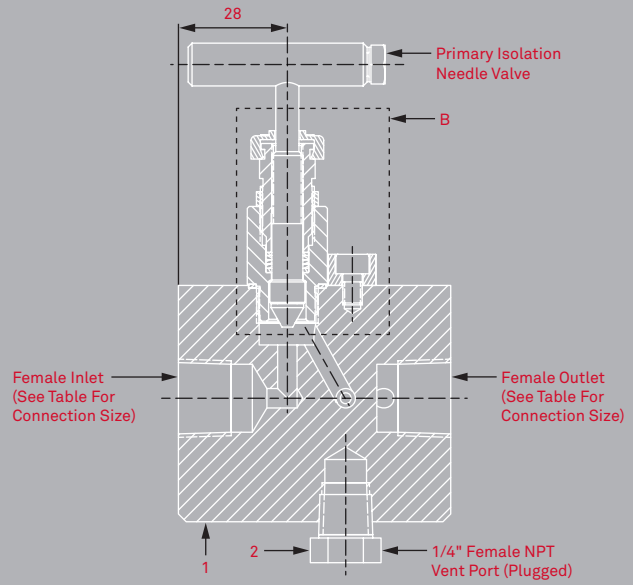
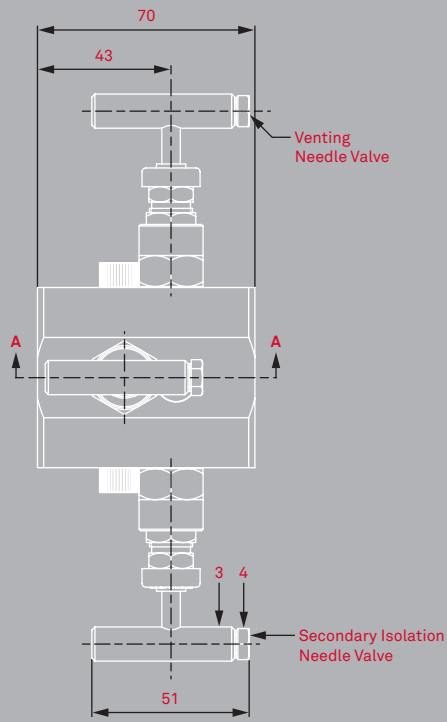
### Double Block & Bleed (Needle, Needle, Needle) 6,000 PSI

The Double Block & Bleed Manifold is fully approved to be supplied to many of the world's oil majors. The design provides an economical method for mounting gauges with facility to test and calibrate gauges and pressure switches. The DBB 'N' series is a slim-line and compact single piece 3 valve manifold. Both isolation and vent valves incorporate the long service firesafe 'N' series needle valve, graphite multi-ring piston style packing and back sealing facility.

## Design Features

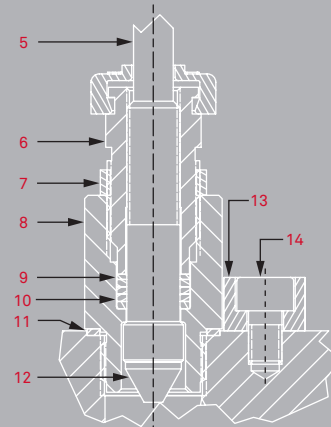
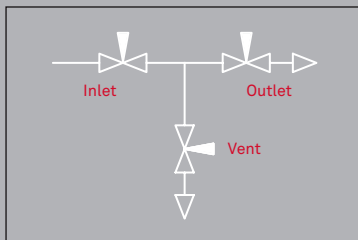
- All valves have 2-piece non-rotating hardened (17-4PH) tips as standard for bubble tight shut off and long service life
- Firesafe design
- Positive no slack stem action
- Metal to metal body bonnet seal for high pressure and high temperature sealing
- Valve flow can be reversed so calibration can be conducted in situ
- Temperature range -40°C to 427°C
- Fine control of venting
- Available in 316/316L
- Full material traceability
- Materials of construction supplied to meet the requirements of NACE MR 0175





Section A-A

Flow Diagram



Needle Valve Detail

Item No.	Description	Material	Quantity
1	NEEDLE MANIFOLD	A479 UNS S31600	1
2	BLANK PLUG	A479 UNS S31600	1
3	"T" HANDLE	UNS S31600	3
4	HANDLE BOLT	A4 ST/ST	3
5	NEEDLE STEM	A479 UNS S31600	3
6	GLAND ADJUSTER	UNS S31600	3
7	GLAND LOCKNUT	UNS S31600	3
8	BONNET HOUSING	A479 UNS S31600	3
9	STEM SEAL	RTFE	3
10	GLAND PACKING	GRAPHITE	12
11	BONNET SEAL	UNS S31600	3
12	VALVE TIP	A564 UNS S17400	3
13	LOCKING CAM	UNS S31600	3
14	CAM SCREW	A4 ST/ST	3
15	ISOLATE DUST CAP	PVC	2
16	VENT DUST CAP	PVC	1

Components Key

Dimensions shown are in metric mm

Part no.	Connection size	Bore	CV	Weight
EDBB-NNN-NV4NS-FS	1/2" NPT	5	0.7	1.9 Kg