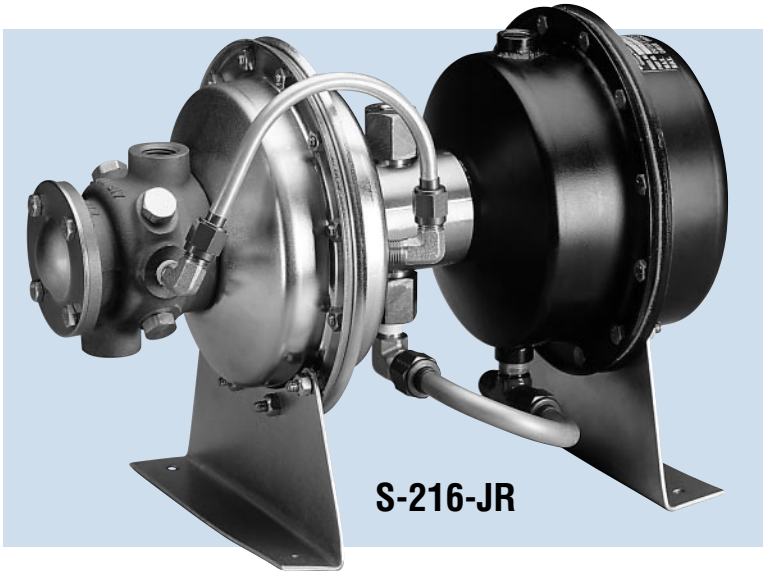


HYDRAULIC POWER UNITS

equipped with reservoirs



S-216-JR

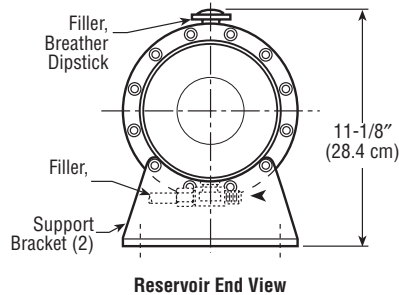
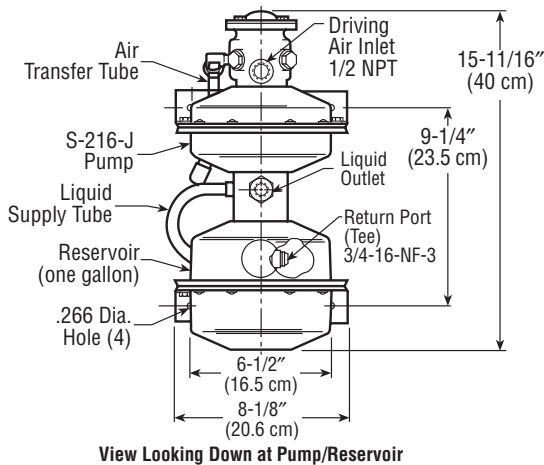
S-216-JR-() STANDARD PUMP/RESERVOIR. LUBRICATED (FOR OIL SERVICE ONLY)

This pump assembly combines the S-216-J standard pump (lubricated air type) with a one-gallon (3.8 liters) steel reservoir. Readily adaptable to portable power pack use. Also suitable for stationary use to provide hydraulic power for production machinery or for hydrostatic testing. This unit is not available in 150:1, 200:1 or 300:1 ratios.

S-216-JNR-() PUMP/RESERVOIR. NON-LUBRICATED (FOR OIL SERVICE ONLY)

Same as S-216-JR-() assembly except that the S-216-JN () standard pump (non-lubricated air type) is used. No additional contaminants are exhausted from the pump.

S-216-JR NOMINAL DIMENSIONS AND CLEARANCES



S-440-JR-() COMPACT POWER UNIT WITH RESERVOIR (FOR OIL SERVICE ONLY)

This compact, lightweight, hydraulic power unit with reservoir weighs less than 33 pounds and is ideal for pressurizing small hydraulic clamps, cylinders and hydrostatic testing.

The unit comes complete with the S-216-J-() basic pump (available in six popular pressure ratios), air filter, pressure regulator and lubricator (FRL), air shut-off valve, muffler, manifold, liquid bleed valve, air pressure gauge, liquid pressure gauge and one gallon reservoir with dipstick. This unit is not available in 150:1, 200:1 or 300:1 ratios.

S-440-JNR-() COMPACT POWER UNIT WITH RESERVOIR, NON-LUBRICATED

This power unit with reservoir is the same as the S-440-JR-() except that it utilizes the S-216-JN-() non-lubricated pump and the lubricator is removed from the FRL.

