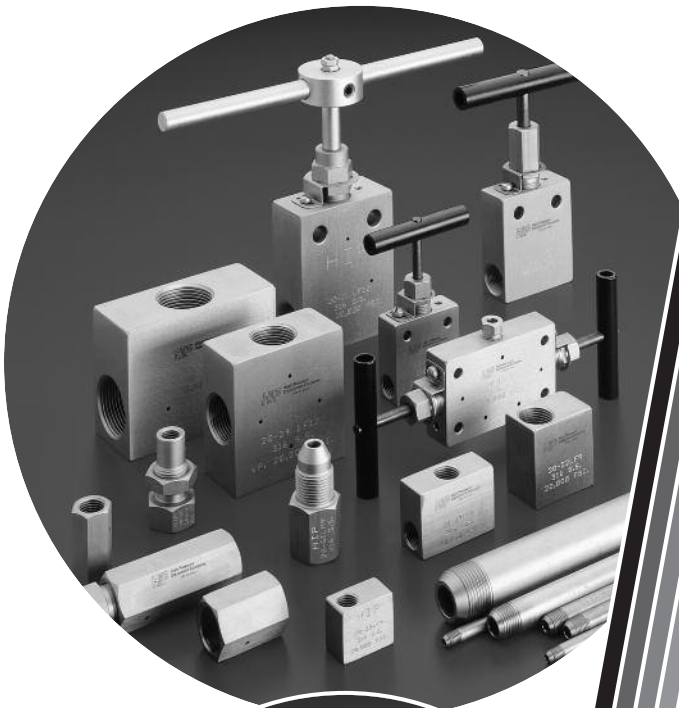


High Pressure Equipment Company



Price List
Effective
December 1, 2010



ISO 9001
CERTIFIED

www.highpressure.com
e-mail: sales@highpressure.com



Standard Terms

F.O.B. — Erie, PA

Cash Terms: Net 30 Days

Credit Cards accepted

1% interest per month to be charged on all past due accounts.

High Pressure Equipment Company reserves the right to change any of the prices shown in this list, without notice.

Not all available spare parts are shown in this price list. If you are unable to locate a given part, please contact our customer service department.

Quantity Discounts

1-10Net
11-49Less 5%
50-99Less 10%
100 +Consult factory

Connection Components

All VALVES AND FITTINGS (except nipples) include necessary Glands and Collars (sleeves) where applicable. When Glands and Collars are not required, specify on order and deduct the following amounts *per opening*:

AF1 \$ 4.00	LF4 \$ 4.00	HF2 \$ 4.00	XF4 \$ 4.00
AF2 4.00	LF6 5.00	HF4 4.00	XF6 6.00
AF4 5.00	LF9 6.00	HF6 5.00		
AF6 5.00	LF12 10.00	HF9 6.00		
		LF16 16.00	HF16 16.00		

Tubing

1/16" O.D. and 1/8" O.D. tubing can be coiled for shipment. All other sizes must be shipped straight. When ordering please note the following limitations and advise lengths desired:

U.P.S./Air Parcel Post/Federal Express 8 foot limit
Air Freight/Air Express 10 foot limit
Motor Freight No limit

Coning and Threading Charge

1/8" to 9/16" Tubing \$ 10.00/end
3/4" and 1" Tubing 24.00/end

Autofrettage Charge

\$ 34.00 per end includes coning and threading

Certifications

Note: Price includes shipment via first class mail. Other certifications available upon request. Consult factory for price information and availability.

Chemical & Physical Test Reports \$ 18.00
Certificate of Test 18.00
Certificate of Conformance 18.00
Tubing Specification 18.00
SGS Certificate 18.00

Low Pressure Valves, Fittings & Tubing

Taper Seal Valves (Catalog Page 2.3)

15-11AF1	\$101.00
15-11AF2	102.00
10-11AF4	105.00
10-11AF6	112.00
15-12AF1	\$102.00
15-12A2	103.00
10-12AF4	107.00
10-12AF6	112.00
15-13AF1	\$109.00
15-13AF2	129.00
10-13AF4	133.00
10-13AF6	136.00
15-14AF1	\$109.00
15-14AF2	126.00
10-14AF4	132.00
10-14AF6	136.00
15-15AF1	\$192.00
15-15AF2	195.00
10-15AF4	198.00
10-15AF6	208.00

Taper Seal Fittings (Catalog Page 2.4)

Elbows

15-22AF1	\$34.30
15-22AF2	35.90
10-22AF4	47.10
10-22AF6	52.50

Tees

15-23AF1	\$43.60
15-23AF2	46.20
10-23AF4	60.70
10-23AF6	66.70

Crosses

15-24AF1	\$55.50
15-24AF2	58.00
10-24AF4	72.50
10-24AF6	81.60

Taper Seal Bulkhead Couplings

15-21AF1-B	\$61.90
15-21AF2-B	64.60
10-21AF4-B	71.10
10-21AF6-B	73.80

Taper Seal Caps

15-21AF1-C	\$21.20
15-21AF2-C	21.30
10-21AF4-C	21.80
10-21AF6-C	23.40

Taper Seal Line Filters (Catalog Page 2.5)

15-51AF1	\$142.00
15-51AF2	142.00
10-51AF4	170.00
10-51AF6	176.00

Taper Seal Ball Check Valves (Catalog Page 2.5)

15-41AF1	\$102.00
15-41AF2	101.00
10-41AF4	105.00
10-41AF6	114.00

Taper Seal Soft Seat Check Valves (Catalog Page 2.5)

15-41AF1-T	\$114.00
15-41AF2-T	115.00
10-41AF4-T	112.00
10-41AF6-T	118.00

Taper Seal Safety Heads (Catalog Page 2.6)

10-61AM4	\$94.70
10-61AM6	96.10
15-63AF1	\$136.00
15-63AF2	138.00
10-63AF4	143.00
10-63AF6	145.00
15-61AF1	\$116.00
15-61AF2	117.00
10-61AF4	118.00
10-61AF6	122.00

Taper Seal Rupture Discs (Catalog Page 2.7)

1,500 to 5,000 psi	\$33.30
5,500 to 15,000 psi	43.40

Taper Seal Connection Components (Catalog Page 2.A)

Glands		316 S.S.
15-2AM1	\$4.90
15-2AM2	5.40
10-2AM4	6.30
10-2AM6	6.90

Sleeves

15-2A1	\$2.90
15-2A2	3.90
10-2A4	4.70
10-2A6	6.20

Plugs

15-7AM1	\$4.40
15-7AM2	5.50
10-7AM4	6.50
10-7AM6	6.90

Pipe Connection Valves (Catalog Page 2.10)

10-11NFA	\$ 95.60
10-11NFB	95.60
10-11NFC	96.10
10-11NFD	149.00
10-12NFA	96.10
10-12NFB	96.10
10-12NFC	97.40
10-12NFD	150.00

Pipe Connection Valves (Catalog Page 2.11)

15F-11NFA	\$ 93.50
15F-11NFB	93.50
15F-11NFC	93.50
15F-11NFD	145.00
10F-11NFF	637.00
10F-11NFH	849.00
15F-12NFA	93.50
15F-12NFB	93.50
15F-12NFC	93.50
15F-12NFD	147.00
10F-12NFF	646.00
10F-12NFH	850.00

NPT Fittings

Elbows

15-22NFA 1/8" NPT	\$41.00
15-22NFB 1/4" NPT	41.00
15-22NFC 3/8" NPT	41.00
15-22NFD 1/2" NPT	46.20

Tees

15-23NFA 1/8" NPT	\$58.20
15-23NFB 1/4" NPT	62.20
15-23NFC 3/8" NPT	62.20
15-23NFD 1/2" NPT	62.20

(Continued on page 4)

Taper Seal Tubing (Catalog Page 2.7)

Size	Material	Catalog No.	Price/Foot 0-75 Feet	Price/Foot 76-150 Feet	Price/Foot 151-500 Feet	Price/Foot 501-1000 Feet
1/16" O.D. x 0.006" I.D.	316 S.S.	15-9A1-006	\$5.95	\$5.45	\$4.95	\$4.75
1/16" O.D. x 0.030" I.D.	316 S.S.	15-9A1-030	5.45	5.15	4.85	4.55
1/8" O.D. x 0.060" I.D.	316 S.S.	15-9A2	5.80	5.50	5.10	4.85
1/8" O.D. x 0.060" I.D.	Hastelloy-C	15-9A2-HC276	25.10	23.00	20.00	19.00
1/4" O.D. x 1/8" I.D.	316 S.S.	10-9A4-316	10.90	10.45	9.95	9.55
1/4" O.D. x 1/8" I.D.	304 S.S.	10-9A4-304	9.05	8.45	8.05	7.50
3/8" O.D. x 1/4" I.D.	316 S.S.	10-9A6-316	15.50	14.85	14.05	13.70



Crosses

15-24NFA 1/8" NPT	\$64.90
15-24NFB 1/4" NPT	64.90
15-24NFC 3/8" NPT	64.90
15-24NFD 1/2" NPT	72.00

Couplings

15-21NFA 1/8" NPT	\$46.20
15-21NFB 1/4" NPT	46.20
15-21NFC 3/8" NPT	46.20
15-21NFD 1/2" NPT	58.00
10-21NFF 3/4" NPT	100.00
10-21NFH 1" NPT	103.00

Line Filters

15-51NFB 1/4" NPT	\$146.00
15-51NFC 3/8" NPT	146.00
15-51NFD 1/2" NPT	174.00

Ball Check Valves

15-41NFB 1/4" NPT	\$132.00
15-41NFC 3/8" NPT	132.00
15-41NFD 1/2" NPT	158.00
10-41NFF 3/4" NPT	357.00
10-41NFH 1" NPT	514.00

Soft Seat Check Valves

15-41NFB-T 1/4" NPT	\$134.00
15-41NFC-T 3/8" NPT	134.00
15-41NFD-T 1/2" NPT	136.00
10-41NFF-T 3/4" NPT	367.00
10-41NFH-T 1" NPT	584.00

Safety Heads

15-61NMA 1/8" Male NPT	\$103.00
15-61NMB 1/4" Male NPT	103.00
15-61NMC 3/8" Male NPT	103.00
15-61NMD 1/2" Male NPT	123.00

Hex Nipples

15-21NMANMA 1/8" Male NPT	\$39.90
15-21NMBNMB 1/4" Male NPT	39.90
15-21NMCNMC 3/8" Male NPT	39.90
15-21NMDNMD 1/2" Male NPT	39.90

Medium Pressure Valves, Fittings & Tubing

Medium Pressure Valves (Catalog Page 3.3)

20-11LF4	\$108.00
20-11LF6	119.00

20-11LF9	\$159.00
20-11LF12	665.00
20-11LF16	941.00
10-11LF16	956.00
10-11LF12	666.00
20-12LF4	\$110.00
20-12LF6	124.00
20-12LF9	159.00
20-12LF12	720.00
20-12LF16	987.00
10-12LF12	711.00
10-12LF16	989.00
20-13LF4	\$136.00
20-13LF6	145.00
20-13LF9	198.00
20-13LF12	785.00
20-13LF16	1,047.00
10-13LF12	794.00
10-13LF16	1,066.00
20-14LF4	\$145.00
20-14LF6	159.00
20-14LF9	205.00
20-14LF12	802.00
20-14LF16	1,073.00
10-14LF12	812.00
10-14LF16	1,090.00
20-15LF4	\$229.00
20-15LF6	246.00
20-15LF9	301.00
20-15LF12	1,508.00
20-15LF16	1,840.00
10-15LF12	1,577.00
10-15LF16	1,895.00
20-12LF4-R	\$212.00
20-12LF6-R	234.00
20-12LF9-R	282.00
20-12LF12-R	951.00
20-12LF16-R	1,145.00
10-12LF12-R	1,178.00
10-12LF16-R	1,197.00

Medium Pressure Fittings (Catalog Page 3.4)

Elbows	
20-22LF4	\$31.20
20-22LF6	40.70
20-22LF9	51.30
20-22LF12	112.00
20-22LF16	196.00

Tees

20-23LF4	\$41.00
20-23LF6	47.50
20-23LF9	69.60
20-23LF12	151.00
20-23LF16	231.00

Crosses

20-24LF4	\$50.40
20-24LF6	56.60
20-24LF9	88.40
20-24LF12	205.00
20-24LF16	314.00

Medium Pressure Union Couplings (Catalog Page 3.5)

20-21LF4-U	\$51.20
20-21LF6-U	56.70
20-21LF9-U	76.20
20-21LF12-U	133.00
20-21LF16-U	181.00

Medium Pressure Bulkhead Couplings (Catalog Page 3.5)

20-21LF4-B	\$73.90
20-21LF6-B	90.10
20-21LF9-B	117.00
20-21LF12-B	235.00
20-21LF16-B	344.00

Medium Pressure Caps (Catalog Page 3.5)

20-21LF4-C	\$28.00
20-21LF6-C	30.50
20-21LF9-C	38.40
20-21LF12-C	55.50
20-21LF16-C	73.80

Medium Pressure Line Filters (Catalog Page 3.6)

20-51LF4	\$158.00
20-51LF6	168.00
20-51LF9	261.00

Medium Pressure Ball Check Valves (Catalog Page 3.6)

20-41LF4	\$103.00
20-41LF6	108.00
20-41LF9	147.00
20-41LF12	419.00
20-41LF16	667.00
10-41LF16	590.00

Medium Pressure Tubing (Catalog Page 3.9)

Size	Material	Catalog No.	Price/Foot 0-75 Feet	Price/Foot 76-150 Feet	Price/Foot 151-500 Feet	Price/Foot 501-1000 Feet
1/4" O.D. x 0.109" I.D.	316 S.S.	20-9M4-316	\$11.80	\$10.85	\$10.05	\$9.45
3/8" O.D. x 0.203" I.D.	316 S.S.	20-9M6-316	14.80	13.90	12.90	12.25
9/16" O.D. x 0.312" I.D.	304 S.S.	20-9M9-304	17.15	16.35	16.05	15.00
9/16" O.D. x 0.359" I.D.	316 S.S.	10-9M9-316	26.00	25.10	24.00	22.00
9/16" O.D. x 0.312" I.D.	316 S.S.	20-9M9-316	23.70	22.55	20.95	20.10
3/4" O.D. x 0.516" I.D.	316 S.S.	10-9M12-316	33.00	31.00	30.00	28.00
3/4" O.D. x 0.438" I.D.	316 S.S.	20-9M12-316	34.00	32.00	30.00	28.00
1" O.D. x 0.688" I.D.	316 S.S.	10-9M16-316	49.00	47.00	45.00	43.00
1" O.D. x 0.562" I.D.	316 S.S.	20-9M16-316	56.00	53.00	52.00	49.00

Medium Pressure Soft Seat**Check Valves****(Catalog Page 3.6)**

20-41LF4-T	\$110.00
20-41LF6-T	118.00
20-41LF9-T	146.00
20-41LF12-T	417.00
20-41LF16-T	640.00
10-41LF16-T	590.00

Medium Pressure Safety Heads**(Catalog Page 3.7)**

20-61LM4	\$ 91.50
20-61LM6	95.80
20-61LM9	105.00
20-61LM12	226.00
20-61LM16	243.00

Medium Pressure Rupture Discs**(Catalog Page 3.7)**

1,500 to 5,000 psi	\$33.30
5,500 to 20,000 psi	43.40

Medium Pressure Anti-Vibration**(Catalog Page 3.8)****Gland Assembly**

20-3LM4	\$39.70
20-3LM6	43.60
20-3LM9	52.40
20-3LM12	60.70
20-3LM16	100.00

Component Parts**Slotted Collet**

2-8769	\$11.40
2-8772	11.40
2-8775	25.70
2-8778	26.50
2-8781	54.80

Collet Gland

2-8770	\$15.40
2-8773	16.00
2-8776	11.40
2-8779	16.00
2-8782	19.60

Collet Body

2-8768	\$23.10
2-8771	19.60
2-8774	28.30
2-8777	32.20
2-8780	45.50

Medium Pressure Nipples (316 S.S.)**(Catalog Page 3.9)**

20-LM4-2.75	\$10.30
20-LM4-6	13.70
20-LM4-8	15.50
20-LM4-10	17.50
20-LM4-12	21.00
20-LM6-3	13.70
20-LM6-6	18.20
20-LM6-8	21.20
20-LM6-10	23.80
20-LM6-12	27.80
20-LM9-4	21.30
20-LM9-6	27.00

20-LM9-8	\$31.80
20-LM9-10	36.70
20-LM9-12	42.00
10-LM12-4	31.80
10-LM12-6	33.20
10-LM12-8	44.80
10-LM12-10	50.10
10-LM12-12	58.00

20-LM12-4	33.20
20-LM12-6	36.20
20-LM12-8	47.40
20-LM12-10	59.40
20-LM12-12	61.90

10-LM16-6	48.90
10-LM16-8	55.50
10-LM16-10	63.30
10-LM16-12	72.50

20-LM16-6	55.50
20-LM16-8	61.90
20-LM16-10	72.50
20-LM16-12	83.10

Medium Pressure Connection Components**(Catalog Page 3.A)****Glands****316 S.S.**

20-2LM4	\$4.20
20-2LM6	5.90
20-2LM9	8.90
20-2LM12	13.70
20-2LM16	22.20

Collars**316 S.S.**

20-2L4	\$3.00
20-2L6	3.60
20-2L9	5.90
20-2L12	6.70
20-2L16	12.30

Plugs**316 S.S.**

20-7LM4	\$6.20
20-7LM6	7.30
20-7LM9	10.80
20-7LM12	16.70
20-7LM16	30.50

High Pressure Valves, Fittings & Tubing**High Pressure Valves****(Catalog Page 4.3)**

30-11HF2	\$113.00
30-11HF4	104.00
30-11HF6	118.00
30-11HF9	158.00
30-11HF16	1,060.00
40-11HF9	179.00
30-12HF2	115.00
30-12HF4	104.00
30-12HF6	118.00
30-12HF9	158.00
30-12HF16	1,111.00
40-12HF9	179.00

30-13HF2	\$145.00
30-13HF4	124.00
30-13HF6	163.00
30-13HF9	218.00
30-13HF16	1,233.00
40-13HF9	248.00

30-14HF2	146.00
30-14HF4	125.00
30-14HF6	165.00
30-14HF9	219.00
30-14HF16	1,233.00
40-14HF9	249.00

30-15HF2	196.00
30-15HF4	174.00
30-15HF6	272.00
30-15HF9	281.00
30-15HF16	2,172.00
40-15HF9	362.00

30-12HF2-R	175.00
30-12HF4-R	181.00
30-12HF6-R	219.00
30-12HF9-R	268.00
30-12HF16-R	1,363.00
40-12HF9-R	317.00

High Pressure Valves**(Catalog Page 4.5)**

60-11HF2	\$141.00
60-11HF4	126.00
60-11HF6	144.00
60-11HF9	175.00

60-12HF2	141.00
60-12HF4	128.00
60-12HF6	146.00
60-12HF9	176.00

60-13HF2	158.00
60-13HF4	150.00
60-13HF6	185.00
60-13HF9	235.00

60-14HF2	159.00
60-14HF4	155.00
60-14HF6	185.00
60-14HF9	237.00

60-15HF2	238.00
60-15HF4	237.00
60-15HF6	281.00
60-15HF9	348.00

60-12HF2-R	195.00
60-12HF4-R	210.00
60-12HF6-R	237.00
60-12HF9-R	308.00

High Pressure Fittings**(Catalog Page 4.6)****Elbows**

60-22HF2	\$42.20
60-22HF4	36.00
60-22HF6	50.10
60-22HF9	71.10
40-22HF9	73.80
30-22HF16	219.00



High Pressure Equipment

Tees

60-23HF2	\$54.10
60-23HF4	51.30
60-23HF6	60.90
60-23HF9	93.50
40-23HF9	94.70
30-23HF16	264.00

Crosses

60-24HF2	\$67.10
60-24HF4	57.90
60-24HF6	74.80
60-24HF9	110.00
40-24HF9	113.00
30-24HF16	374.00

High Pressure Union Couplings (Catalog Page 4.7)

60-21HF2-U	\$69.90
60-21HF4-U	58.00
60-21HF6-U	69.90
60-21HF9-U	92.10
40-21HF9-U	94.70
30-21HF16-U	226.00

High Pressure Bulkhead Couplings (Catalog Page 4.7)

60-21HF2-B	\$90.90
60-21HF4-B	64.60
60-21HF6-B	80.40
60-21HF9-B	104.00
40-21HF9-B	110.00
30-21HF16-B	393.00

High Pressure Caps (Catalog Page 4.7)

60-21HF2-C	\$26.50
60-21HF4-C	29.00
60-21HF6-C	44.80
60-21HF9-C	48.90
40-21HF9-C	51.50
30-21HF16-C	71.10

High Pressure Line Filters (Catalog Page 4.8)

60F-51HF2	\$159.00
60F-51HF4	157.00
60F-51HF6	168.00
60F-51HF9	217.00
40-51HF9	222.00

High Pressure Ball Check Valves (Catalog Page 4.8)

60-41HF2	\$115.00
60-41HF4	108.00
60-41HF6	138.00
60-41HF9	168.00
40-41HF9	172.00
30-41HF16	696.00

High Pressure Soft Seat Check Valves (Catalog Page 4.8)

30-41HF2-T	\$123.00
30-41HF4-T	110.00
30-41HF6-T	125.00
30-41HF9-T	147.00
60-41HF4-T	132.00
60-41HF6-T	146.00
60-41HF9-T	175.00
40-41HF9-T	181.00
30-41HF16-T	705.00

High Pressure Excess Surge Check Valves (Catalog Page 4.9)

60-41HF9-E	\$192.00
Bushing 2-0888	45.40

High Pressure Rupture Discs (Catalog Page 4.9)

1,500 to 5,000 psi	\$33.30
5,500 to 65,000 psi	43.40

High Pressure Safety Heads (Catalog Page 4.10)

60-61HM4	\$92.90
60-61HM6	92.90
60-61HM9	110.00
40-61HM9	112.00
30-61HM16	261.00
60-63HF2	137.00
60-63HF4	137.00
60-63HF6	138.00
60-63HF9	160.00
40-63HF9	165.00
60-61HF2	115.00
60-61HF4	115.00
60-61HF6	116.00
60-61HF9	142.00
40-61HF9	144.00

High Pressure Anti-Vibration (Catalog Page 4.11)

Gland Assembly	
60-3HM4	\$17.20
60-3HM6	16.20
60-3HM9	24.50

Component Parts Slotted Collet

2-8784	\$12.00
2-8786	9.60
2-8788	10.00

Collet Gland

2-8783	\$9.40
2-8785	13.50
2-8787	14.60

Collar

60-2H4	\$2.90
60-2H6	3.70
60-2H9	5.50

High Pressure Nipples (316 S.S.) (Catalog Page 4.12)

60-HM2-2	\$8.80
60-HM2-3	9.50
60-HM2-4	10.50
60-HM2-6	12.30
60-HM2-9	14.20
60-HM2-12	16.20
30-HM2-2	8.80
30-HM2-3	9.50
30-HM2-4	10.50
30-HM2-6	12.30
30-HM2-9	14.20
30-HM2-12	16.00
60-HM4-2.75	10.30
60-HM4-6	14.20
60-HM4-8	16.20
60-HM4-10	19.40
60-HM4-12	22.70
60-HM6-3	14.00
60-HM6-6	19.30
60-HM6-8	22.00
60-HM6-10	24.50
60-HM6-12	28.00
60-HM9-4	22.00
60-HM9-6	28.50

High Pressure Tubing (Catalog Page 4.12)

Size	Material	Catalog No.	Price/Foot 0-75 Feet	Price/Foot 76-150 Feet	Price/Foot 151-500 Feet	Price/Foot 501-1000 Feet
1/8" O.D. x .020" I.D.	316 S.S.	60-9H2	\$8.10	\$7.80	\$7.35	\$7.00
1/8" O.D. x .040" I.D.	316 S.S.	30-9H2	7.90	7.55	7.00	6.70
1/4" O.D. x .083" I.D.	316 S.S.	60-9H4-316	12.25	10.65	10.00	9.50
1/4" O.D. x .083" I.D.	304 S.S.	60-9H4-304	9.30	8.95	8.65	8.30
1/4" O.D. x .083" I.D.	HC27660-9H4	HC276	48.00	46.00	42.00	40.00
3/8" O.D. x 1/8" I.D.	316 S.S.	60-9H6-316	17.40	16.65	16.00	15.65
3/8" O.D. x 1/8" I.D.	304 S.S.	60-9H6-304	13.15	12.40	11.65	11.05
9/16" O.D. x 1/4" I.D.	316 S.S.	40-9H9-316	24.90	23.10	21.90	21.00
9/16" O.D. x 1/4" I.D.	304 S.S.	40-9H9-304	21.60	20.25	19.05	17.70
9/16" O.D. x 3/16" I.D.	316 S.S.	60-9H9-316	31.60	29.65	27.80	25.45
9/16" O.D. x 3/16" I.D.	304 S.S.	60-9H9-304	22.05	19.95	18.95	17.80
1" O.D. x .437" I.D.	316 S.S.	30-9H16-316	56.00	53.00	49.00	47.00

60-HM9-8	\$31.20
60-HM9-10	37.20
60-HM9-12	43.60
40-HM9-4	23.80
40-HM9-6	29.00
40-HM9-8	34.30
40-HM9-10	39.50
40-HM9-12	44.80
30-HM16-6	56.60
30-HM16-8	64.60
30-HM16-10	72.50
30-HM16-12	85.60

**High Pressure Nipples (304 S.S.)
(Catalog Page 4.12)**

60-HM4-2.75	\$9.80
60-HM4-6	13.20
60-HM4-8	16.20
60-HM4-10	17.90
60-HM4-12	19.30

60-HM6-3	12.90
60-HM6-6	18.20
60-HM6-8	19.90
60-HM6-10	22.00
60-HM6-12	22.20

60-HM9-4	18.80
60-HM9-6	21.00
60-HM9-8	23.30
60-HM9-10	26.60
60-HM9-12	30.10

**High Pressure Connection
Components
(Catalog Page 4.A)**

Glands

60-2HM2	\$5.80
60-2HM4	5.80
60-2HM6	6.90
60-2HM9	11.10
30-2HM16	24.10

Collars

60-2H2	\$2.90
60-2H4	2.90
60-2H6	3.70
60-2H9	5.50
30-2H16	13.60

Plugs

60-7HM2	\$5.50
60-7HM4	5.50
60-7HM6	7.10
60-7HM9	9.70
30-7HM16	32.60

**Ultra High Pressure
Valves, Fittings
& Tubing**

**Ultra High Pressure Valves
(Catalog Pages 5.2-5.3)**

100-11XF4	\$436.00
100-12XF4	436.00
100-13XF4	518.00
100-14XF4	518.00
100-15XF4	970.00
100-12XF4-R	642.00
150-11XF6	544.00
150-12XF6	544.00
150-13XF6	612.00
150-14XF6	616.00
150-15XF6	1,048.00
150-12XF6-R	731.00

**Ultra High Pressure
Check Valves
(Catalog Page 5.4)**

100-41XF4	\$272.00
150-41XF6	461.00

**Ultra High Pressure
Safety Heads**

100-61XF4	\$461.00
150-61XF6	557.00

**Ultra High Pressure Fittings
(Catalog Page 5.4)**

Elbows

100-22XF4	\$100.00
150-22XF6	138.00

Tees

100-23XF4	\$136.00
150-23XF6	182.00

Crosses

100-24XF4	\$157.00
150-24XF6	198.00

Bulkheads

100-21XF4-B	\$147.00
150-21XF6-B	198.00

Caps

100-21XF4-C	\$28.00
150-21XF6-C	\$47.40

**Ultra High Pressure
Nipples (316 S.S.)
(Catalog Page 5.5)**

100-XM4-2.75	\$13.20
100-XM4-6	17.40
100-XM4-8	19.90
100-XM4-10	21.30
100-XM4-12	22.60

**Ultra High Pressure
Nipples (304 S.S.)
(Catalog Page 5.5)**

100-XM4-2.75	\$12.00
100-XM4-6	14.60
100-XM4-8	17.40
100-XM4-10	18.60
100-XM4-12	19.90
150-XM6-4	25.10
150-XM6-6	30.50
150-XM6-8	37.00
150-XM6-10	43.60
150-XM6-12	48.90

**Ultra High Pressure
Connection Components
(Catalog Page 5.A)**

Glands

100-2XM4	\$9.00
150-2XM6	11.90

Collars

100-2X4	\$4.90
150-2X6	6.60

Plugs

100-7XM4	\$10.30
150-7XM6	13.10

Specialty Valves

**Two Way Ball Valves
(Catalog Page 6.2)**

15-16AF1	\$226.00
15-16AF2	231.00
10-16AF4	236.00
10-16AF6	229.00
20-16LF4	229.00
20-16LF6	231.00
20-16LF9	236.00
20-16HF2	229.00
20-16HF4	229.00
20-16HF6	231.00
20-16HF9	238.00
10-16NFA	200.00
10-16NFB	200.00
10-16NFC	200.00
10-16NFD	200.00

**Trunion Style Two Way Ball Valves
(Catalog Page 6.3)**

.187 Orifice

15-71AF1	\$280.00
15-71AF2	280.00
10-71AF4	280.00
10-71AF6	280.00

**Ultra High Pressure Tubing
(Catalog Page 5.5)**

Size	Material	Catalog No.	Price/Foot 0-75 Feet	Price/Foot 76-150 Feet	Price/Foot 151-500 Feet	Price/Foot 501-1000 Feet
1/4" O.D. x 1/16" I.D.	316 S.S.	100-9X4-316	\$13.80	\$13.50	\$12.90	\$12.50
1/4" O.D. x 1/16" I.D.	304 S.S.	100-9X4-304	11.75	10.30	10.30	9.65
3/8" O.D. x 1/16" I.D.	304 S.S.	150-9X6	30.00	26.00	24.00	21.00



20-71LF4	\$280.00
20-71LF6	280.00
20-71LF9	280.00
20-71HF4	280.00
20-71HF6	280.00
20-71HF9	280.00
15-71NFA	280.00
15-71NFB	280.00
15-71NFC	280.00

0.375 Orifice

10-74AF6	\$398.00
15-74LF9	398.00
15-74LF12	398.00
15-74LF16	398.00
15-74NFB	398.00
15-74NFC	398.00
15-74NFD	398.00

.500 Orifice

10-80LF12	\$1,044.00
10-80LF16	1,044.00
10-80NFF	1,044.00
10-80NFH	1,044.00

Trunion Style Three Way Ball Valves (Catalog Page 6.4)**.187 Orifice (90°)**

15-73AF1	\$306.00
15-73AF2	306.00
10-73AF4	306.00
10-73AF6	306.00
20-73LF4	306.00
20-73LF6	306.00
20-73LF9	306.00
20-73HF4	306.00
20-73HF6	306.00
20-73HF9	306.00
15-73NFA	306.00
15-73NFB	306.00
15-73NFC	306.00

.187 Orifice (180°)

15-72AF1	\$306.00
15-72AF2	306.00
10-72AF4	306.00
10-72AF6	306.00
20-72LF4	306.00
20-72LF6	306.00
20-72LF9	306.00
20-72HF4	306.00
20-72HF6	306.00
20-72HF9	306.00
20-72NFA	306.00
20-72NFB	306.00
20-72NFC	306.00

Trunion Style Three Way Ball Valves (Catalog Page 6.4)**.375 Orifice (90°)**

10-76AF6	\$407.00
15-76LF9	407.00
15-76LF12	407.00
15-76LF16	407.00

15-76NFB	\$407.00
15-76NFC	407.00
15-76NFD	407.00

.500 Orifice (90°)

10-82LF12	\$1,125.00
10-82LF16	1,125.00
10-82NFF	1,125.00
10-82NFH	1,125.00

.375 Orifice (180°)

10-75AF6	\$407.00
15-75LF9	407.00
15-75LF12	407.00
15-75LF16	407.00
15-75NFB	407.00
15-75NFC	407.00
15-75NFD	407.00

.500 Orifice (180°)

10-82LF12	\$1,125.00
10-82LF16	1,125.00
10-82NFF	1,125.00
10-82NFH	1,125.00

Mini Three Way Ball Valves

10-77LF4	\$163.00
10-77LF6	163.00
10-77NFB	163.00
10-77NFC	163.00

High Temperature Valves**(Suffix "HT")****(Catalog Page 6.6)**

Add \$184.00 to price of valves in the 20,000 and 30,000 psi series. Except HF16, LF12 and LF16 series add \$379.00 to price of valves.

Micro Control Metering Valves**(Suffix "V")****(Catalog Page 6.7)**

Add \$230.00 to price of standard 60,000 psi series.

Metering Tip Valve**(Suffix "MTS")****(Catalog Page 6.7)**

Add \$58.00 to price of standard 60,000 psi series.

Relief Valves**(Catalog Page 6.8)**

4-2633	\$583.00
HiP-10RV	250.00
HiP-20RV	492.00

Male Bottom Connection Valves**(Catalog Page 6.9)**

2-7928A	\$143.00
2-8144A	150.00
2-7602A	143.00
2-7569A	150.00
2-8164A	143.00
2-7742A	143.00
2-7565A	248.00

2-7927A	\$199.00
2-8039A	205.00
2-7604A	200.00
2-7603A	204.00

Rupture Discs (when required) should be ordered separately.

Block and Bleed Needle Valves (Catalog Page 6.10)

15-SBB-NFB	\$ 347.00
15-SBB-NFC	378.00
15-SBB-NFD	389.00
20-SBB-LF4	357.00
20-SBB-LF6	373.00
20-SBB-LF9	394.00

Double Block and Bleed Needle Valves (Catalog Page 6.11)

20-DBB-LF4	\$ 662.00
20-DBB-LF6	672.00
20-DBB-LF9	722.00
20-DBB-LF12	1,250.00
20-DBB-LF16	1,313.00

Air Operated Valves

Hippo Air Actuators**(Catalog Pages 7.1.5 and 7.3.5)**

Mini Hippo Normally Open	.. \$311.00
Mini Hippo Normally Closed	.. 335.00
MPO-NO Normally Open	... 447.00
MPO-NC Normally Closed	... 458.00
HPO-NO Normally Open	... 632.00
HPO-NC Normally Closed	... 643.00
EHPO-NO Normally Open	.. 3,274.00
EHPO-NC Normally Closed	.. 3,274.00

Hippo Air & Ball Valve Operators (Catalog Page 7.2 and 6.5)

Add the following to price of a standard valve.

Normally Open Add \$347.00
Normally Closed Add 369.00
TSR4 Ball Valve Add 408.00
TDR4 Ball Valve Add 408.00
TSR8 Ball Valve Add 408.00
TDA8 Ball Valve Add 408.00
TSR20 Ball Valve Add 671.00

Remarco Valves**(Catalog Page 7.3)**

D-20R-12LF9R	\$1,198.00
D-30R-12HF4R	846.00
D-30R-12HF6R	846.00
D-30R-12HF9R	846.00
D-10R-12LF9R	846.00
D-60R-12HF4R	846.00
D-60R-12HF6R	846.00
D-60R-12HF9R	899.00
D-100R-12XF4R	1,104.00
D-100R-12XF6R	1,125.00
SD-20R-12LF9R	1,333.00
SD-30R-12HF4R	983.00

SD-30R-12HF6R	\$983.00
SD-30R-12HF9R	1,040.00
SD-10R-12LF9R	1,040.00
SD-60R-12HF4R	983.00
SD-60R-12HF6R	983.00
SD-60R-12HF9R	1,040.00
SD-100R-12XF4R	1,239.00
SD-100R-12XF6R	1,259.00

**Remetco Valves
(Catalog Page 7.4)**

10M-12HF9R	\$3,615.00
30M-12HF9R	3,615.00
60M-12HF9R	3,615.00
Instrument Panel (RVP)	
B-1652	632.00

Accessories

**Adapters: Female to Male
(Catalog Pages 8.8-8.14)**

15-21AF1AM1	\$46.90
15-21AF1AM2	46.80
10-21AF1AM4	46.80
10-21AF1AM6	57.90
15-21AF2AM1	45.60
10-21AF2AM4	51.90
10-21AF2AM6	57.90
10-21AF4AM2	54.20
10-21AF4AM6	54.20
10-21AF6AM2	57.20
10-21AF6AM4	55.80
15-21AF1HM2	49.40
15-21AF1HM4	49.40
15-21AF1HM6	61.40
15-21AF1HM9	80.20
15-21AF2HM2	52.50
15-21AF2HM4	52.50
15-21AF2HM6	56.10
15-21AF2HM9	56.10
10-21AF4HM2	39.00
10-21AF4HM4	36.40
10-21AF4HM6	39.00
10-21AF4HM9	45.70
10-21AF6HM2	46.00
10-21AF6HM4	40.60
10-21AF6HM6	41.50
10-21AF6HM9	49.40
10-21XF6AM4	112.00
15-21AF1NMA	34.80
15-21AF1NMB	34.80
15-21AF1NMC	34.80
15-21AF1NMD	34.80
10-21AF1NMF	53.60
10-21AF1NMH	54.50
15-21AF2NMA	34.70
15-21AF2NMB	34.70
15-21AF2NMC	34.70
15-21AF2NMD	34.70
10-21AF2NMF	54.60
10-21AF2NMH	66.60
10-21AF4NMA	32.40
10-21AF4NMB	32.40

10-21AF4NMC	\$32.40
10-21AF4NMD	32.40
10-21AF4NMF	54.60
10-21AF4NMH	69.20
10-21AF6NMA	33.90
10-21AF6NMB	33.90
10-21AF6NMC	33.90
10-21AF6NMD	33.90
10-21AF6NMF	54.20
10-21AF6NMH	69.20
20-21LF4LM6	36.00
20-21LF4LM9	37.40
20-21LF6LM4	39.20
20-21LF6LM9	42.00
20-21LF9LM4	44.80
20-21LF9LM6	44.80
20-21LF12LM4	92.10
20-21LF12LM6	104.00
20-21LF12LM9	109.00
20-21LF12LM16	115.00
20-21LF4LM12	80.40
20-21LF6LM12	77.70
20-21LF9LM12	82.10
20-21LF16LM4	105.00
20-21LF16LM6	113.00
20-21LF16LM9	138.00
20-21LF16LM12	126.00
20-21LF4LM16	84.20
20-21LF6LM16	110.00
20-21LF9LM16	122.00
20-21LF4HM2	34.30
20-21LF4HM4	39.50
20-21LF4HM6	39.50
20-21LF4HM9	41.00
20-21LF4HM16	72.50
20-21LF6HM4	36.20
20-21LF6HM6	44.80
20-21LF6HM9	47.00
20-21LF9HM4	45.50
20-21LF9HM6	46.20
20-21LF9HM9	46.50
20-21LF9XM4	84.20
20-21LF12HM4	92.10
20-21LF12HM6	102.00
20-21LF12HM9	110.00
20-21LF16HM4	138.00
20-21LF16HM6	138.00
20-21LF16HM9	144.00
20-21HF2LM4	37.00
20-21HF4LM4	37.00
20-21HF4LM6	37.80
20-21HF4LM9	39.20
20-21HF6LM4	43.60
20-21HF6LM6	43.80
20-21HF6LM9	46.00
20-21HF9LM4	48.90
20-21HF9LM6	48.90
20-21HF9LM9	51.50
20-21HF4LM12	80.40
20-21HF6LM12	100.00
20-21HF9LM12	115.00
20-21HF4LM16	104.00
20-21HF6LM16	118.00
20-21HF9LM16	120.00

30-21HF4HM16	\$129.00
30-21HF6HM16	131.00
30-21HF9HM16	134.00
20-21LF4NMA	37.00
20-21LF4NMB	29.00
20-21LF4NMC	30.50
20-21LF4NMD	31.10
10-21LF4NMF	61.90
10-21LF4NMH	67.10
20-21LF6NMA	37.00
20-21LF6NMB	31.40
20-21LF6NMC	34.30
20-21LF6NMD	35.60
10-21LF6NMF	63.30
10-21LF6NMH	65.40
20-21LF9NMA	48.90
20-21LF9NMB	44.80
20-21LF9NMC	46.20
20-21LF9NMD	47.10
10-21LF9NMF	54.10
10-21LF9NMH	60.90
20-21LF12NMA	103.00
20-21LF12NMB	103.00
20-21LF12NMC	100.00
20-21LF12NMD	88.40
10-21LF12NMF	104.00
10-21LF12NMH	113.00
20-21LF16NMA	149.00
20-21LF16NMB	143.00
20-21LF16NMC	127.00
20-21LF16NMD	127.00
10-21LF16NMF	125.00
10-21LF16NMH	134.00
20-21NFALM4	43.60
20-21NFBLM4	28.00
20-21NFCLM4	36.00
20-21NFDLM4	38.20
10-21NFFLM4	77.30
20-21NFALM6	43.60
20-21NFBLM6	35.90
20-21NFCLM6	37.00
20-21NFDLM6	38.60
10-21NFFLM6	78.30
10-21NFHLM6	90.50
20-21NFALM9	43.60
20-21NFBLM9	35.70
20-21NFCLM9	37.00
20-21NFDLM9	38.40
10-21NFFLM9	77.20
10-21NFHLM9	92.00
20-21NFALM12	98.70
20-21NFBLM12	96.10
20-21NFCLM12	94.70
20-21NFDLM12	81.90
10-21NFFLM12	112.00
10-21NFHLM12	125.00
20-21NFALM16	117.00
20-21NFBLM16	117.00
20-21NFCLM16	108.00
20-21NFDLM16	86.90
10-21NFFLM16	135.00
10-21NFHLM16	138.00



High Pressure Equipment

30-21HF2NMA	\$43.60
30-21HF2NMB	43.60
30-21HF2NMC	43.60
30-21HF2NMD	44.80
10-21HF2NMF	72.50
10-21HF2NMH	85.60
30-21HF4NMA	29.00
30-21HF4NMB	29.40
30-21HF4NMC	30.20
30-21HF4NMD	32.00
10-21HF4NMF	58.00
10-21HF4NMH	83.10
30-21HF6NMA	37.00
30-21HF6NMB	34.30
30-21HF6NMC	38.40
30-21HF6NMD	38.40
10-21HF6NMF	58.00
10-21HF6NMH	77.60
30-21HF9NMA	58.00
30-21HF9NMB	51.50
30-21HF9NMC	51.50
30-21HF9NMD	51.50
10-21HF9NMF	63.30
10-21HF9NMH	83.10
30-21NFAHM2	35.40
30-21NFBHM2	35.70
30-21NFCHM2	35.60
30-21NFAHM4	24.90
30-21NFBHM4	26.90
30-21NFCHM4	31.80
30-21NFDHM4	33.50
30-21NFAHM6	37.00
30-21NFBHM6	27.00
30-21NFCHM6	33.00
30-21NFDHM6	37.50
10-21NFFHM6	63.30
30-21NFAHM9	38.40
30-21NFBHM9	35.90
30-21NFCHM9	37.30
30-21NFDHM9	37.20
10-21NFFHM9	61.90
10-21NFHHM9	84.20
30-21NFBXM4	51.50
60-21HF2HM4	33.50
60-21HF2HM6	33.50
60-21HF2HM9	44.80
60-21HF4HM2	35.70
60-21HF4HM6	43.60
60-21HF4HM9	43.60
60-21HF6HM2	38.10
60-21HF6HM4	41.00
60-21HF6HM9	46.80
60-21HF9HM2	58.00
60-21HF9HM4	50.40
60-21HF9HM6	50.60
60-21HF9HM9	85.60
60-21HF4XM6	71.10
60-21HF2XM4	64.60
60-21XF6HM4	71.10
100-21XF4XM6	88.40
100-21XF6XM4	72.50
15-21HF4AM2	51.30
15-21LF4AM2	40.90
10-21LF4AM4	43.00

10-21LF4AM6	\$43.00
15-21LF6AM2	43.20
10-21LF6AM4	44.30
10-21LF6AM6	44.30
15-21LF9AM2	47.90
10-21LF9AM4	49.10
10-21LF9AM6	49.10
15-21AF1LM4	44.30
15-21AF1LM6	48.30
15-21AF1LM9	51.80
15-21AF2LM4	49.10
15-21AF2LM6	50.90
15-21AF2LM9	57.90
10-21AF4LM4	54.60
10-21AF4LM6	57.40
10-21AF4LM9	64.50
10-21AF6LM4	56.10
10-21AF6LM6	58.70
10-21AF6LM9	66.30
15-21NFAAM2	40.40
15-21NFBAM2	40.40
15-21NFCAM2	40.40
10-21NFAAM4	33.80
10-21NFBAM4	33.80
10-21NFCAM4	36.50
10-21NFDAM4	39.80
10-21NFAAM6	33.80
10-21NFBAM6	33.80
10-21NFCAM6	36.60
10-21NFDAM6	39.80

Adapters: Male to Male (Catalog Pages 8.15-8.18)

20-21LM4LM12	\$67.70
20-21LM6LM12	67.70
20-21LM9LM12	109.00
20-21LM12LM12	74.60
20-21LM4LM16	109.00
20-21LM6LM16	109.00
20-21LM9LM16	109.00
20-21LM12LM16	109.00
20-21LM16LM16	117.00
20-21HM4LM12	67.70
20-21HM6LM12	67.70
20-21HM9LM12	67.70
20-21HM4LM16	109.00
20-21HM6LM16	109.00
20-21HM9LM16	109.00
30-21HM4HM16	116.00
30-21HM6HM16	116.00
30-21HM9HM16	116.00
20-21LM12NMA	123.00
20-21LM12NMB	101.00
20-21LM12NMC	101.00
20-21LM12NMD	101.00
10-21LM12NMF	101.00
10-21LM12NMH	109.00
20-21LM16NMA	179.00
20-21LM16NMB	136.00
20-21LM16NMC	130.00
20-21LM16NMD	130.00
10-21LM16NMF	136.00
10-21LM16NMH	124.00

30-21HM2NMA	\$64.40
30-21HM2NMB	62.30
30-21HM4NMA	36.70
30-21HM4NMB	38.10
30-21HM4NMC	54.60
30-21HM4NMD	54.60
10-21HM4NMF	111.00
30-21HM6NMB	57.50
30-21HM6NMC	57.50
30-21HM6NMD	57.50
30-21HM9NMB	70.40
30-21HM9NMC	70.40
30-21HM9NMD	70.40
10-21HM9NMF	97.40
10-21HM9NMH	115.00
60-21HM2HM2	64.40
60-21HM2HM4	64.40
60-21HM4HM4	37.50
60-21HM4HM6	55.70
60-21HM4HM9	70.10
60-21HM6HM6	43.50
60-21HM6HM9	70.10
60-21HM9HM9	53.90
100-21XM4XM4	61.30
100-21XM4XM6	61.30
15-21AM1AM1	42.60
15-21AM1NMA	42.60
15-21AM1AM2	48.50
15-21AM1NMB	42.60
15-21AM1HM2	41.50
15-21AM1HM4	41.50
15-21AM2AM2	42.60
15-21AM2NMA	39.50
15-21AM2NMB	40.90
15-21AM2HM2	59.00
15-21AM2HM4	42.60
15-21AM2LM4	39.20
15-21AM2LM6	40.40
15-21AM2LM9	42.50
10-21AM4AM4	54.40
10-21AM4NMB	54.40
10-21AM4NMD	54.40
10-21AM4HM4	54.40
10-21AM4LM4	41.90
10-21AM4LM6	43.40
10-21AM4LM9	45.10
10-21AM6AM6	52.40
10-21AM6LM4	45.10
10-21AM6LM6	47.60
10-21AM6LM9	49.30
10-21AM6XM4	104.00
10-21AM6XM6	104.00
20-21LM4LM4	38.80
20-21LM4LM6	52.40
20-21LM4LM9	58.10
20-21LM4NMB	40.10
20-21LM4NMD	54.60
20-21LM4HM2	55.60
20-21LM4HM4	55.50
20-21LM4HM6	58.00
20-21LM4HM9	52.90
20-21LM6LM6	52.20
20-21LM6LM9	58.10
20-21LM6NMB	54.40

20-21LM6NMC	\$54.40
20-21LM6NMD	54.40
20-21LM6HM4	53.00
20-21LM6HM6	55.50
20-21LM9LM9	53.90
20-21LM9NMB	58.70
20-21LM9NMC	58.70
20-21LM9NMD	61.70
10-21LM9NMF	81.80
10-21LM9NMH	117.00
20-21LM9HM4	61.70
20-21LM9HM9	61.70

**Couplings: Female to Female
(Catalog Pages 8.19-8.23)**

15-21AF1	\$35.10
15-21AF2	35.70
10-21AF4	39.90
10-21AF6	45.60
15-21AF1AF2	40.90
10-21AF1AF4	41.50
10-21AF1AF6	43.50
10-21AF2AF4	43.20
10-21AF2AF6	45.60
10-21AF4AF6	45.60
15-21AF1HF2	42.00
15-21AF1HF4	42.00
15-21AF1HF6	45.70
15-21AF1HF9	46.90
15-21AF2HF2	42.50
15-21AF2HF4	42.50
15-21AF2HF6	46.90
15-21AF2HF9	62.60
10-21AF4HF2	44.30
10-21AF4HF4	44.30
10-21AF4HF6	46.40
10-21AF4HF9	64.00
10-21AF6HF2	45.10
10-21AF6HF4	45.10
10-21AF6HF6	48.50
10-21AF6HF9	64.50
15-21AF1NFA	36.40
15-21AF1NFB	36.40
15-21AF1NFC	37.60
15-21AF1NFD	40.40
15-21AF2NFA	36.40
15-21AF2NFB	36.40
15-21AF2NFC	37.60
15-21AF2NFD	41.50
10-21AF4NFA	32.40
10-21AF4NFB	32.40
10-21AF4NFC	32.40
10-21AF4NFD	38.30
10-21AF4NFF	71.90
10-21AF4NFH	88.90
10-21AF6NFA	32.40
10-21AF6NFB	32.40
10-21AF6NFC	32.40
10-21AF6NFD	41.60
10-21AF6NFF	73.10
10-21AF6NFH	90.20
20-21LF4	28.10
20-21LF6	35.20
20-21LF9	\$42.50

20-21LF12	\$115.00
20-21LF16	157.00
30-21HF16	177.00
20-21LF4NFA	33.20
20-21LF4NFB	30.90
20-21LF4NFC	31.80
20-21LF4NFD	33.40
10-21LF4NFF	76.40
10-21LF4NFH	90.90
20-21LF6NFA	39.50
20-21LF6NFB	38.10
20-21LF6NFC	41.00
20-21LF6NFD	45.70
10-21LF6NFF	79.00
10-21LF6NFH	90.90
20-21LF9NFA	41.00
20-21LF9NFB	42.20
20-21LF9NFC	44.70
20-21LF9NFD	46.20
10-21LF9NFF	80.40
10-21LF9NFH	93.50
20-21LF12NFA	113.00
20-21LF12NFB	110.00
20-21LF12NFC	112.00
20-21LF12NFD	98.50
10-21LF12NFF	131.00
10-21LF12NFH	135.00
20-21LF16NFA	149.00
20-21LF16NFB	128.00
20-21LF16NFC	126.00
20-21LF16NFD	116.00
10-21LF16NFF	131.00
10-21LF16NFH	135.00
20-21LF4LF6	41.00
20-21LF4LF9	44.80
20-21LF6LF9	50.10
20-21LF4LF12	119.00
20-21LF6LF12	137.00
20-21LF9LF12	97.40
20-21LF4LF16	124.00
20-21LF6LF16	141.00
20-21LF9LF16	131.00
20-21LF12LF16	134.00
20-21LF4HF2	51.10
20-21LF4HF4	47.40
20-21LF4HF6	50.90
20-21LF4HF9	55.70
20-21LF6HF4	47.40
20-21LF6HF6	50.10
20-21LF6HF9	61.60
20-21LF9HF2	54.10
20-21LF9HF4	54.30
20-21LF9HF6	56.60
20-21LF9HF9	58.20
20-21LF12HF4	108.00
20-21LF12HF6	107.00
20-21LF12HF9	107.00
20-21LF16HF4	120.00
20-21LF16HF6	125.00
20-21LF16HF9	143.00
60-21HF2	43.60
60-21HF4	34.70
60-21HF6	42.90
60-21HF9	60.90

100-21XF4	\$63.30
150-21XF6	69.90
60-21HF2HF4	43.60
60-21HF2HF6	46.20
60-21HF2HF9	59.40
60-21HF4HF6	45.60
60-21HF4HF9	57.50
60-21HF6HF9	61.90
60-21HF4XF6	72.50
30-21HF4HF16	117.00
30-21HF2NFA	35.70
30-21HF2NFB	36.90
30-21HF2NFC	38.40
30-21HF2NFD	42.20
10-21HF2NFF	71.10
10-21HF2NFH	93.50
30-21HF4NFA	28.00
30-21HF4NFB	28.40
30-21HF4NFC	32.60
30-21HF4NFD	33.60
10-21HF4NFF	69.90
10-21HF4NFH	85.60
30-21HF6NFA	51.50
30-21HF6NFB	47.50
30-21HF6NFC	47.50
30-21HF6NFD	49.30
10-21HF6NFF	69.90
10-21HF6NFH	88.40
30-21HF9NFA	52.70
30-21HF9NFB	51.50
30-21HF9NFC	51.50
30-21HF9NFD	54.20
10-21HF9NFF	76.40
10-21HF9NFH	90.90
15-21AF1LF4	46.20
15-21AF1LF6	50.90
15-21AF1LF9	58.70
15-21AF1LF16	143.00
15-21AF2LF4	48.10
15-21AF2LF6	51.80
15-21AF2LF9	58.30
15-21AF2LF16	128.00
10-21AF4LF4	50.10
10-21AF4LF6	52.00
10-21AF4LF9	59.30
10-21AF6LF4	51.00
10-21AF6LF6	52.50
10-21AF6LF9	59.80

**NPT Adapters
(Catalog Page 8.18.1-2)**

15-21NFA	\$46.20
15-21NFB	46.20
15-21NFC	46.20
15-21NFD	58.00
10-21NFF	100.00
10-21NFH	103.00
15-21NFBNFC	50.10
15-21NFBNFD	55.50
15-21NFCNFD	55.50
15-21NMANMA	39.90
15-21NMBNMB	39.90
15-21NMCNMC	39.90
15-21NMDNMD	39.90



10-21NMFNMF	\$64.60
10-21NMHNMH	103.00
15-21NMBNMC	42.20
15-21NMBNMD	44.80
15-21NMCNMD	44.80
15-21NFANMA	54.10
15-21NFANMB	54.10
15-21NFANMC	54.10
15-21NFANMD	63.30
15-21NFBNMA	50.90
15-21NFBNMB	50.90
15-21NFBNMC	50.90
15-21NFBNMD	54.40
15-21NFCNMB	55.00
15-21NFCNMD	58.00
15-21NFDNMA	54.10
15-21NFDNMB	54.10
15-21NFDNMC	54.10
15-21NFDNMD	64.60
10-21NFFNMD	76.70
10-21NFFNMH	79.70
10-21NFHNMD	112.00
10-21NFHNMF	183.00

Hose Adapters (Catalog Page 8.18.3-4)

40-21HM4HA9	\$39.50
30-21HM4HA12	39.50
26-21HM4HA16	42.20
40-21HM6HA9	42.20
30-21HM6HA12	42.20
26-21HM6HA16	44.80
40-21HM9HA9	44.80
30-21HM9HA12	44.80
26-21HM9HA16	44.80
20-21LM4HA9	39.50
20-21LM4HA12	39.50
20-21LM4HA16	42.20
20-21LM6HA9	39.50
20-21LM6HA12	39.50
20-21LM6HA16	42.20
20-21LM9HA9	39.50
20-21LM9HA12	39.50
20-21LM9HA16	42.20
20-21LM12HA9	52.70
20-21LM12HA12	55.50
20-21LM12HA16	63.30
20-21LM12HA21	98.70
20-21LM16HA9	52.70
20-21LM16HA12	63.30
20-21LM16HA16	68.50
20-21LM16HA21	73.80
15-21NMBHA9	37.00
15-21NMBHA12	39.50
15-21NMBHA16	42.20
15-21NMCHA9	37.00
15-21NMCHA12	39.50
15-21NMCHA16	42.20
15-21NMDHA9	37.00
15-21NMDHA12	42.20
15-21NMDHA16	44.80
10-21NMFHA12	89.40
10-21NMFHA16	89.40
10-21NMHHA16	97.40

26-21HA9HA9	\$39.50
26-21HA9HA12	42.20
26-21HA9HA16	44.80
26-21HA12HA12	44.80
26-21HA12HA16	44.80
26-21HA16HA16	44.80

Thermocouple Adapters (Catalog Page 8.24)

15-21AF1AM2-T	\$54.10
10-21AF1AM4-T	54.10
10-21AF1AM6-T	69.90
15-21AF1NMA-T	38.40
15-21AF1NMB-T	38.40
15-21AF1NMC-T	38.40
15-21AF1NMD-T	38.40
10-21AF1NMF-T	56.60
10-21AF1NMH-T	73.80
15-21AF1LM4-T	48.90
15-21AF1LM6-T	52.70
15-21AF1LM9-T	56.60
15-21AF1HM2-T	55.50
15-21AF1HM4-T	55.50
15-21AF1HM6-T	69.90
15-21AF1HM9-T	80.40
15-21AF2LM4-T	51.50
15-21AF2LM6-T	52.70
15-21AF2LM9-T	56.60
10-21AF2AM4-T	58.00
10-21AF2AM6-T	67.10
15-21AF2HM4-T	59.40
15-21AF2HM6-T	63.30
15-21AF2HM9-T	63.30
15-21AF2NMA-T	39.50
15-21AF2NMB-T	39.50
15-21AF2NMC-T	39.50
15-21AF2NMD-T	39.50
10-21AF2NMF-T	58.00
10-21AF2NMH-T	73.80
10-21AF4HM9-T	65.90
10-21AF4LM9-T	63.90

Pressure Gauges (Catalog Page 8.25)

4PG5	\$294.00
4PG10	297.00
6PG20	502.00
6PG30	627.00
6PG50	1,032.00
6PG75	1,087.00
6PG100	1,271.00
6PG150	2,430.00

Tooling

Reseating Tools (Catalog Page 9.2)

RTL4	\$59.30
RTL6	68.70
RTL9	87.60
RTHF2	59.30
RTHF4	59.30
RTHF6	68.70

RTHF9	\$87.60
RTXF4	59.30
RTXF6	68.70

Coning Tools (Catalog Page 9.3)

Complete Tool	
2-LF4	\$270.00
2-LF6	270.00
2-LF9	342.00
2-HF2	300.00
2-HF4	270.00
2-HF6	270.00
2-HF9	342.00
2-HF9-40	342.00
2-XF4	275.00
2-XF6	285.00

Cutter (Spare)

2-LF4L*	\$80.20
2-LF6L*	80.20
2-LF9L	80.20
2-HF2L*	95.20
2-HF4L*	80.20
2-HF6L*	80.20
2-HF9L	80.20
2-HF9L-40	80.20
2-XF6L*	96.50

Collet (Spare)

2-LF4P	\$60.10
2-LF6P	60.10
2-LF9P	60.10
2-HF2P*	60.10
2-HF4P*	60.10
2-HF6P*	60.10
2-HF9P	60.10
2-XF6P*	60.10

* Interchangeable in any of the assemblies except 2-HF9 and 2-LF9.

Threading Tools (Catalog Page 9.3)

Complete Tool	
2-MLF4	\$175.00
2-MLF6	175.00
2-MLF9	175.00
2-MHF2	142.00
2-MHF4	175.00
2-MHF6	175.00
2-MHF9	175.00
2-MXF6	175.00

Threading Die (Spare)

1/8" - 40LH	\$51.50
1/4" - 28LH*	64.00
3/8" - 24LH*	64.00
9/16" - 18LH*	64.00

Guide Bushing (Spare)

2-MLF4P*	\$28.90
2-MLF6P*	28.90
2-MLF9P*	28.90
2-MHF4P*	28.90
2-MHF6P*	28.90
2-MHF9P*	28.90

2-MXF6P*\$28.90

* Interchangeable in any of the assemblies except 2-MHF2.

Rapid Tap 4 ounces 16.50

Pumping Systems, Intensifiers, Gas Boosters and High Pressure Generators

High Pressure Generators (Catalog Page 11.9)

87-6-5\$1,292.00
62-6-10\$1,292.00
50-6-15\$1,292.00
37-6-30\$1,292.00

Vernier Indicator 401491

(Option for above models)
\$ 175.00

Spare Packing
(see spare parts list)

Extra Capacity Models

112-5.75-5\$2,922.00
81-5.75-10\$2,922.00
68-5.75-15\$2,922.00
50-5.75-30\$2,922.00
37-5.75-60\$2,922.00
31-5.75-75\$3,197.00
25-5.75-100\$3,709.00

Spare Packing
(see spare parts list)

Oil & Gas Products

Nipples, Fittings, Couplings, Check Valves, Filters (Catalog Page 13.4-13.6)

60-HM4-2.75-SGS\$14.60
60-HM4-6-SGS 23.80
60-HM4-8-SGS 30.50
60-HM4-10-SGS 35.70
60-HM4-12-SGS 38.40
60-HM6-3-SGS 22.60
60-HM6-6-SGS 28.00
60-HM6-8-SGS 34.30
60-HM6-10-SGS 37.00
60-HM6-12-SGS 39.50
60-HM9-4-SGS 31.80
60-HM9-6-SGS 37.00
60-HM9-8-SGS 43.60
60-HM9-10-SGS 50.10
60-HM9-12-SGS 56.60
60-2HM4-SGS 8.10
60-2HM6-SGS 9.50
60-2HM9-SGS 16.00

60-2H4-SGS\$5.50
60-2H6-SGS 5.50
60-2H9-SGS 8.10
60-7HM4-SGS 6.80
60-7HM6-SGS 9.50
60-7HM9-SGS 13.40
60-22HF4-SGS 54.10
60-22HF6-SGS 73.80
60-22HF9-SGS 83.10
60-23HF4-SGS 69.90
60-23HF6-SGS 81.60
60-23HF9-SGS 108.00
60-24HF4-SGS 88.40
60-24HF6-SGS 100.00
60-24HF9-SGS 116.00
60-21HF4-U-SGS 71.10
60-21HF6-U-SGS 80.40
60-21HF9-U-SGS 116.00
60-21HF4-B-SGS 83.10
60-21HF6-B-SGS 117.00
60-21HF9-B-SGS 129.00
60-21HF4-C-SGS 43.60
60-21HF6-C-SGS 54.10
60-21HF9-C-SGS 76.40
60F-51HF4-SGS 393.00
60F-51HF6-SGS 448.00
60F-51HF9-SGS 512.00
60-41HF4-SGS 223.00
60-41HF6-SGS 281.00
60-41HF9-SGS 354.00
30-41HF4-T-SGS 249.00
30-41HF6-T-SGS 262.00
30-41HF9-T-SGS 323.00
60-41HF4-T-SGS 262.00
60-41HF6-T-SGS 318.00
60-41HF9-T-SGS 357.00

Valves (Catalog Page 13.3)

30-11HF4-SGS\$176.00
30-11HF6-SGS 200.00
30-11HF9-SGS 213.00
60-11HF4-SGS 202.00
60-11HF6-SGS 209.00
60-11HF9-SGS 213.00
30-12HF4-SGS 176.00
30-12HF6-SGS 200.00
30-12HF9-SGS 213.00
60-12HF4-SGS 202.00
60-12HF6-SGS 209.00
60-12HF9-SGS 213.00
30-13HF4-SGS 192.00
30-13HF6-SGS 218.00
30-13HF9-SGS 308.00
60-13HF4-SGS 214.00
60-13HF6-SGS 226.00
60-13HF9-SGS 265.00
30-14HF4-SGS 192.00
30-14HF6-SGS 218.00
30-14HF9-SGS 308.00
60-14HF4-SGS 214.00
60-14HF6-SGS 226.00
60-14HF9-SGS 265.00

30-15HF4-SGS\$251.00
30-15HF6-SGS 315.00
30-15HF9-SGS 378.00
60-15HF4-SGS 281.00
60-15HF6-SGS 315.00
60-15HF9-SGS 464.00
30-12HF4-R-SGS 238.00
30-12HF6-R-SGS 326.00
30-12HF9-R-SGS 348.00
60-12HF4-R-SGS 251.00
60-12HF6-R-SGS 357.00
60-12HF9-R-SGS 370.00

Well Head Gauge and Bleed Valves (Catalog Page 13.7)

30-GVHF9\$248.00
30-GVHF9-SGS 344.00
30-BVHM9 93.10
30-BVHM9-SGS 114.00

Spare Parts

Taper Seal

15,000 psi

AF1 Series Valves

Handle 2-263\$9.40
Stem Nut 2-566 19.60
Lock Nut 2-1030 5.40
Stem 2-2645 48.80
Top Washer 2-267 8.30
Buna O-ring B-101 3.60
Viton O-ring B-614 5.00
Silicone O-ring B-149 5.00
Teflon Packing B-195* 5.00
Grafoil Packing B-1379 6.90
Bottom Washer 2-266 7.10
Regulating Stem Assembly 2-9350 48.80

15,000 psi

AF2 Series Valves

Handle 2-263\$9.40
Stem Nut 2-265 19.60
Lock Nut 2-268 5.40
Stem 2-2645 48.80
Top Washer 2-267 8.30
Buna O-ring B-101 3.60
Viton O-ring B-614 5.00
Silicone O-ring B-149 5.00
Teflon Packing B-195* 5.00
Grafoil Packing B-1379 6.90
Bottom Washer 2-266 7.10
Regulating Stem Assembly 2-9350 48.80



10,000 psi

AF4 and AF6 Series Valves

Handle 2-151\$10.00
Locking Device 2-65710.30
Stem Assembly 2-746165.60
Lower Stem Only 2-742830.70
Upper Stem Assembly 2-7981	..34.70
Top Washer 2-1548.30
Buna O-ring B-1023.60
Viton O-ring B-8495.00
Silicone O-ring B-1475.00
Teflon Packing B-181*5.00
Grafoil Packing B-1417 (1 ea)	..7.70
-w Grafoil Packing B-1357 (1 ea)	5.90
Bottom Washer 2-1567.10
Lower Stem Regulating 2-9347	..33.20

Ball Check Valves

Taper Seal (AF1, AF2, AF4, AF6)

Ball B-521 (316 SS)\$4.20
Ball Support 2-790018.50
Spring B-5517.20
Gasket B-5525.80

Line Filter Discs

AF4, AF6, NFB, NFC, NFD: (4 per set)

0.5 Micron B-1442Set\$30.90
2 Micron B-1443Set30.90
5 Micron B-1444Set30.90
10 Micron B-923Set30.90
20 Micron B-1445Set30.90
40 Micron B-610Set30.90
100 Micron B-607Set30.90

AF1, AF2: (3 per set) HF2 old style

0.5 Micron B-1450Set\$30.90
2 Micron B-1451Set30.90
5 Micron B-1452Set30.90
10 Micron B-475Set30.90
20 Micron B-1453Set30.90
40 Micron B-616Set30.90
100 Micron B-474Set30.90

Soft Seat Check Valves

Poppet 2-2272\$30.50
O-ring B-159 Buna3.70
O-ring B-152 Teflon3.70
O-ring B-870 Viton3.90
Spring B-5517.20
Gasket B-5525.80

Safety Heads (Rupture Assemblies)

Hold Down Nut 2-204\$34.10
Hold Down Ring 2-13029.90

Medium Pressure

20,000 psi

LF4 and LF6 Series Valves

Handle 2-151\$10.00
Stem Nut 2-773021.80
Locking Device 2-773310.10
Stem Assembly 2-772946.90
Top Washer 2-773110.10
Polypak Seal B-138811.70

Grafoil Packing B-1391Set (2)	..\$10.50
Teflon Packing B-1392Set (2)	..11.30
Bottom Washer 2-773210.10
LF4 Removable Seat Gland 2-8512	..83.80
LF6 Removable Seat Gland 2-8431	..83.80
Lower Regulating Stem Assembly	...
2-9355 (& MTS)58.40
Lens Ring 2-843236.90

20,000 psi

LF9 Series Valves

Handle 2-754\$14.50
Stem Nut 2-773729.90
Locking Device 2-773410.10
Stem Assembly 2-827868.10
Top Washer 2-773812.50
Polypak Seal B-138711.70
Grafoil Packing B-1386Set (2)	..10.50
Teflon Packing 2-7341Set (2)	..11.30
Bottom Washer 2-734211.10
Std. Lower Stem 2-746739.30
Lower Regulating Stem
2-810857.10
High Temp. Stem Assembly
2-8387136.00
Removable Seat Gland 2-8592	..83.80
Lens Ring 2-89736.90

20,000 psi

LF12 Series Valves

Handle 2-8673\$14.30
Handle Collar 2-867483.00
Packing Gland 2-8675101.00
Locking Device 2-866912.60
Bearing Washer 2-867619.90
Stem Sleeve 2-867759.00
Upper Stem 2-867852.30
Lower Stem 2-867954.10
Top Washer 2-875426.40
Teflon Packing 2-8740Set (2)	..11.10
Grafoil Packing B01455Set(3)	..26.50
Polypak B-1431 (1 ea)11.70
Bottom Washer 2-875526.40
Removable Seat Gland 2-9280	..116.00
Lens Ring 2-927951.00

20,000 psi

LF16 Series Valves

Handle 2-8673\$14.30
Handle Collar 2-868085.20
Packing Gland 2-8681104.00
Locking Device 2-867013.10
Bearing Washer 2-868222.00
Stem Sleeve 2-8683104.00
Upper Stem 2-868486.90
Lower Stem 2-868573.70
Bearing Washer 2-868625.10
Top Washer 2-875633.60
Teflon Packing 2-8741Set (2)	..12.00
Grafoil Packing B-1440Set (2)	..26.50
Polypak B-1742 (1)11.70
Bottom Washer 2-875733.60
Removable Seat Gland 2-9282	..146.00
Lens Ring 2-9281 10K\$68.40
Lens Ring 2-9972 20K62.30

Ball Check Valves

Medium Pressure (LF4 and LF6)

Ball B-521 (316ss)\$4.20
Ball Support 2-790018.50
Spring B-5517.20
Gasket B-5525.80

Medium Pressure (LF9)

Ball B-522 (316ss)\$4.70
Ball Support 2-790120.00
Spring B-9589.20
Gasket B-9596.90

Line Filter Discs

LF4, LF6 and LF9 Series (4 per set)

0.5 Micron B-1442Set\$30.90
2 Micron B-1443Set30.90
5 Micron B-1444Set30.90
10 Micron B-923Set30.90
20 Micron B-1445Set30.90
40 Micron B-610Set30.90
100 Micron B-607Set30.90
Spacer 2-110410.30

Soft Seat Check Valves

LF4 and LF6 Series

Poppet 2-2272\$30.50
O-ring B-159 Buna3.70
O-ring B-152 Teflon3.70
O-ring B-870 Viton3.90
Spring B-5517.20
Gasket B-5525.80

LF9 Series

Poppet 2-4740\$34.90
O-ring B-104 Buna5.50
O-ring B-161 Teflon5.80
Spring B-9589.20
Gasket B-9596.90

Safety Heads (Rupture Assemblies)

Hold Down Nut 2-204\$34.10
Hold Down Ring 2-13029.90

High Pressure

30,000 psi

HF2 Series Valves

Handle 2-263\$9.40
Stem Nut 2-26519.60
Lock Nut 2-2685.40
Stem 2-264548.80
Top Washer 2-2678.30
Buna O-ring B-1013.60
Viton O-ring B-6145.00
Silicone O-ring B-1495.00
Grafoil Packing B-13796.90
Teflon Packing B-195*5.00
Bottom Washer 2-2667.10
Regulating Stem 2-935048.80

30,000 psi

HF4, HF6, and HF9 Series Valves

Handle 2-151	\$10.00
Locking Device 2-657	\$10.30
Stem Assembly 2-7462	65.40
Upper Stem Assembly 2-7981	34.70
Lower Stem Kit 2-7426	31.20
Top Washer 2-154	8.30
Buna O-ring B-102	3.60
Viton O-ring B-849	5.00
Silicone O-ring B-147	5.00
Grafoil Packing B-1417	7.70
Teflon Packing B-181*	5.00
Teflon/Buna 209276	25.10
Bottom Washer 2-156	7.10
Bottom Spacer 2-155	5.80
HF4 Removable Seat Gland 2-750	88.70
HF6 Removable Seat Gland 2-751	88.70
HF9 Removable Seat Gland 2-752	88.70
Lower Regulating Stem Kit 2-9348	31.20
Lens Ring 2-753	36.70

30,000 psi

HF16 Series Valves

Use LF16, 20,000 psi parts, except:

Lower Stem 2-8753	\$71.80
Top Washer 2-8752	39.50
Teflon Packing 2-8740Set (2)	11.10
Grafoil B-1455Set(2)	26.50
Polpak B-1431 (1)	11.70
Bottom Washer 2-8755	26.40
Removable Seat Gland 210915	146.00
Lens Ring 210914	36.70

60,000 psi

HF2, HF4, HF6 and HF9 Series Valves

Handle 2-151	\$10.00
Locking Device 2-657	10.30
Stem Assembly 2-7463	65.40
Upper Stem Assembly 2-7981	34.70
Lower Stem Kit 2-7427	31.20
Top Washer 2-717 (416)	8.30
Buna O-ring B-101	3.60
Viton O-ring B-614	5.00
Silicone O-ring B-149	5.00
Packing Set Teflon/Nylon* 2-9689	26.30
Teflon Packing B-195 (old style)	5.00
Grafoil Packing B-1379	6.90
Teflon/Viton 212401	30.70
Bottom Washer 2-716	7.10
Bottom Spacer 2-718 (old style)	5.80
HF4 Removable Seat Gland 2-750	88.70
HF6 Removable Seat Gland 2-751	88.70
HF9 Removable Seat Gland 2-752	88.70
Lower Regulating Stem Kit 2-9349	31.20
Lens Ring 2-1238	36.70

Ball Check Valves

High Pressure (HF2, HF4, HF6, HF9)

Ball B-516 (440 SS)	\$4.20
Ball Support 2-7900	18.50
Spring B-551 (No Gasket Required)	7.20

* Standard unless otherwise specified

Line Filter Discs

HF2, HF4, HF6, HF9: (3 per set)

0.5 Micron B-1446Set	\$30.90
2 Micron B-1447Set	30.90
5 Micron B-1448Set	30.90
10 Micron B-1407Set	30.90
20 Micron B-1449Set	30.90
40 Micron B-1408Set	30.90
100 Micron B-1409Set	30.90

Soft Seat Check Valves

HF2, HF4, HF6, HF9

Poppet 2-2272	\$30.50
O-ring B-159 Buna	3.70
O-ring B-152 Teflon	3.70
O-ring B-870 Viton	3.90
Spring B-551	7.20
Gasket B-310 (60,000 psi only)	6.90
Gasket B-552	5.80

Safety Heads (Rupture Assemblies)

Hold Down Nut 2-204	\$34.10
Hold Down Ring 2-130	29.90

Ultra High Pressure

100,000 and 150,000 psi XF4 and XF6 Series Valves

Handle 2-754	\$14.50
Locking Device 2-3144	17.40
Stem Assembly 210127	105.00
Top Washer 4-2485C (17-4 Ph)	20.90
Nylon/Teflon Packing 2-8691	22.90
Bottom Washer 2-716 (17-4 Ph)	24.60
Packing Gland 4-2485D	38.20
XF4 Removable Seat Gland 2-8519	88.70
XF6 Removable Seat Gland 2-6785	88.70

Specialty Valves

Micro Control Valves

Lower Section Stem 2-7228	\$99.20
Handle 2-754	14.50
Top Washer 2-717	8.30
Bottom Washer 2-716	7.10
Bottom Spacer 2-718	5.80
Buna O-ring B-101	3.60
Viton O-ring B-614	5.00
Silicone O-ring B-149	5.00
Grafoil Packing B-1379	6.90
Teflon/Nylon PackingSet 2-9689	26.30

3/4" and 1" NPT Valves

Handle 2-8673	\$14.30
Handle Collar 2-8680	85.20
Packing Gland 2-8681	104.00
Locking Device 2-8670	13.10
Bearing Washer 2-8682	22.00
Stem Sleeve 2-8683	104.00
Upper Stem 2-8684	86.90
Lower Stem 2-8685	73.70
Bearing Washer 2-8686	25.10
Top Washer 2-8756	33.60
Teflon Packing 2-8741Set (2)	12.00
Bottom Washer 2-8757	33.60

Ball Valves

Handle 2-8642	\$15.70
Roll Pin B-1509	3.60
Handle Stop Collar 2-8643	21.30
Stop Collar (3-way) 2-8730	21.30
Stop Collar (Diverter) 2-8643	21.30
Stem 2-8644	39.20
Packing Gland 2-8645	22.30
Locking Device 2-7733	10.10
Top Packing Washer 2-7731	10.10
Teflon Packing B-1392Set (2)	11.30
Bottom Packing Washer 2-7732	10.10
Bearing Washer 2-8646	17.20
Body (2-way) 2-8641	125.00
Body (3-way, Diverter) 2-8729	145.00
0.485 Ball (2-way) 2-8647	16.30
0.485 Ball (3-way) 2-8721	21.50
0.485 Ball (Diverter) 2-8834	24.60
Ball Seat 2-8648	14.60
O-ring B-821	4.70
Seat Gland	47.40

Trunion Style Ball Valves (Catalog Page)

.187 Orifice

Handle 210285	\$15.10
Set Screw 210242	8.40
Stop Collar 210616	21.30
Stop Collar 210217	21.30
Stem 210229	22.60
Panel Nut 209219-8	19.90
Bearing Washer 210230	11.50
O-Ring B01117	4.10
Back Up Washer B01578	4.10
Ball Seat Assembly 210233	27.10
Ball Seat 210231	12.60
Ball Seat Holder 210232	16.00
Belleville Washer B01604	2.90
Packing Washer 210234	7.40
Back Up Washer 210286	4.60
Body Bushing 210219	7.40
Trunion 2-Way 210598	43.60
Trunion 180° 210235	43.60
Trunion Diverter 210360	43.60
Bottom Bushing 210218	7.40
Body 601934	154.00
O-Ring B00823	4.70
O-Ring B01032	4.90
Seat Gland	73.80
Bottom Gland	67.10
Square Adapter 210672	53.10



Trunion Style Ball Valves

(Catalog Page)

.375 Orifice

Handle 210285	\$15.10
Set Screw 2102428.40
Stop Collar 21061621.30
Stop Collar 21021721.30
Stem 21022922.60
Panel Nut 209219-819.90
Bearing Washer 21023011.50
O-Ring B011174.10
Back Up Ring B015784.10
Ball Seat Assembly 21022043.60
Ball Seat 21022123.80
Ball Seat Holder 21022221.30
Belleville Washer B016053.90
Packing Washer 2102238.10
Back Up Washer 2102885.10
Body Bushing 2102197.40
Trunion 2-Way 21059947.40
Trunion 180° 21022447.40
Trunion Diverter 21035947.40
Bottom Bushing 2102187.40
Body 601935187.00
O-Ring B015845.40
O-Ring B015835.00
O-Ring B008094.80
Seat Gland86.90
Bottom Gland80.40
Square Adapter 21067253.10

Air Operated Valves

Hipco Air Operated Valves

Normally Closed - air to open

Spring B-1397 60,000 psi,		
30,000 psi and Taper Seal	...	\$.43.90
Spring B-1428 20,000 psi series43.90
O-ring B-1350Set (2)15.80
O-ring B-1054.70

Normally Open - air to close

Spring B-395	\$.20.00
O-ring B-1054.70

10,000 psi Series (AF4 and AF6)

Stem 2-7624	\$.77.00
Packing Gland 2-752554.00
Locknut B-12256.00

30,000 psi Series

Stem 2-7622	\$.77.00
Packing Gland 2-752554.00
Locknut B-12256.00

60,000 psi Series

Stem 2-9426	\$.77.00
Packing Gland 2-752554.00
Locknut B-12256.00

LF4 and LF6 Series

Stem 2-8215	\$.78.80
Packing Gland 2-821752.00
Locknut 2-248011.50

LF9 Series (rated 10,000 psi)

Upper Stem 2-8799	\$.46.10
Lower Stem 2-746739.30
Packing Gland 2-882254.00
Locknut 2-839011.50
Diaphragm B-135618.90
Snap Ring B-1351Set (2)7.60
Support Washer 2-752612.90
Hex Nut (Nylok) B-13544.60

Remarco Air Operated Valves

Normally Closed - air to open

"SD" Series

Spring B-780	\$.60.00
Diaphragm B-82830.90
Gasket B-4519.40

Normally Open - air to close

"D" Series

Spring B-395	\$.20.00
Diaphragm B-82830.90
Gasket B-4519.40

10,000 psi Series

Stem 2-4324	\$.77.00
Top Packing Washer 2-176414.70
Teflon Packing B-185Set (2)14.50
Polypak B-140611.90
Bottom Packing Washer 2-176414.70
Lens Ring 2-432536.70
Removable Seat Gland 2-89888.70

20,000 psi Series

Spring (Normally Closed)		
B-1068	\$.143.00
Spring (Normally Open)		
B-39520.00
Diaphragm B-82830.90
Gasket B-4519.40
Stem 2-432477.00
Top Packing Washer 2-176414.70
Teflon Packing B-185Set (2)14.50
Bottom Packing Washer 2-176414.70
Lens Ring 2-432536.70
Removable Seat Gland 2-820888.70

30,000 psi Series

Stem 2-289077.00
Top Packing Washer 2-1548.30
Teflon Packing B-1815.00
Bottom Packing Washer 2-1567.10
Spacer 2-1555.80
Packing Set Teflon/Nylon 21029126.30
Lens Ring 2-75336.70
HF4 Removable		
Seat Gland 2-75088.70
HF6 Removable		
Seat Gland 2-75188.70
HF9 Removable		
Seat Gland 2-75288.70

60,000 psi Series

Stem 2-2886	\$.77.00
Top Packing Washer 2-7178.30
Teflon Packing B-1955.00
Bottom Packing Washer 2-7167.10
Spacer 2-7185.80
Packing Set Teflon/Nylon 2-968926.30
Lens Ring 2-123836.70
HF4 Removable		
Seat Gland 2-75088.70
HF6 Removable		
Seat Gland 2-75188.70
HF9 Removable		
Seat Gland 2-75288.70
Grafoil Packing B-13796.90

100,000 psi Series

Stem 2-5432 A	\$.77.00
Packing Set Teflon/Nylon		
2-968926.30
Top Packing Washer 2-7178.30
Teflon Packing B-1955.00
Bottom Packing Washer 2-7167.10
Spacer 2-7185.80
Lens Ring 2-543438.30
XF4 Removable Seat Gland		
2-851988.70
XF6 Removable Seat Gland		
2-678588.70

Complete Lower Section Valve Assemblies, Including Body, Stem, Packing Components, etc. for assembly to existing Air Operator.

30R-12HF4R Lower Unit	...	\$.476.00
30R-12HF6R Lower Unit476.00
30R-12HF9R Lower Unit549.00
10R-12LF9R Lower Unit549.00
20R-12LF9R Lower Unit593.00
60R-12HF4R Lower Unit476.00
60R-12HF6R Lower Unit476.00
60R-12HF9R Lower Unit549.00
100R-12XF6R Lower Unit818.00
10R-12HF9R Lower Unit476.00

Relief Valves

Assembly 4-2633

Stem 2-8545	\$.59.10
Viton O-ring B-8214.70
Removable Seat Gland 2-350288.60
2-8554 Stem Seat33.00

Seal Ring Seat

2-8547 - 3,000 to 10,999 psi	...	\$.67.60
2-8537 - 11,000 to 20,999 psi67.60
2-8548 - 21,000 to 30,000 psi67.60
210857 - 30,001 to 45,000 psi67.60
210858 - 45,001 to 60,000 psi67.60

High Temperature Valves 30,000 psi Series

Handle 2-151\$10.00
Stem Assembly 2-10154110.00
Packing Gland 2-15221.80
Locking Device Collar 2-7450	..20.80
High Temperature Housing 2-688079.80
Top Packing Washer 2-18814.30
Bottom Packing Washer 2-187	..10.80
Grafoil Packing B-1357Set (3)	..10.30
Gasket B-3106.90

20,000 psi Series (LF4 and LF6)

Handle 2-151\$10.00
Stem Assembly 2-8262111.00
Packing Gland 2-773021.80
Locking Device 2-773310.10
High Temperature Housing 2-826479.80
Top Packing Washer 2-7731	..10.10
Bottom Packing Washer 2-7732	..10.10
Grafoil Packing B-1391Set (2)10.50
Seal Ring 2-826532.90

20,000 psi Series (LF9)

Handle 2-754\$14.50
Stem Assembly 2-8387136.0
Packing Gland 2-773729.90
Locking Device 2-773410.10
High Temperature Housing 2-838979.80
Top Packing Washer 2-7738	..12.50
Bottom Packing Washer 2-7342	..11.10
Grafoil Packing B-1386Set (2)10.50
Seal Ring 2-839137.40

Pressure Generators

Model 87-6-5

Shaft 2-450 (7/8)\$389.00
Nut 2-1482405.00
Top Packing Washer 2-7357	..38.10
Teflon Packing B-208*30.50
Bottom Washer 2-735834.10
Polypak Seal B-1369Set (2)*	..30.50

Model 62-6-10

Shaft 2-450 (5/8)\$389.00
Nut 2-1482405.00
Top Packing Washer 2-6203	..38.10
Teflon Packing B-201*30.50
Bottom Washer 2-177334.10
Polypak Seal B-1370Set (2)*	..30.50

Model 50-6-15

Shaft 2-450 (1/2)\$389.00
Nut 2-1482405.00
Top Packing Washer 2-5408	..38.10
Teflon Packing B-1066*30.50
Bottom Washer 2-541034.10
Polypak Seal B-1371Set (2)*	..30.50

Model 37-6-30

Shaft 2-450 (3/8)\$389.00
Nut 2-1482405.00
Top Packing Washer 2-6234	..38.10
Teflon Packing B-114230.50
Bottom Washer 2-623534.10
Polypak Seal B-1372Set (2)*	..30.50

Model 112-5.75-5

Shaft 2-8127\$205.00
Top Packing Washer 2-8136	..56.70
Polypak Seal B-1396Set (2)*	..30.50
Teflon Packing B-1398*30.50
Bottom Washer 2-822045.80

Model 81-5.75-10

Shaft 2-8128\$205.00
Top Packing Washer 2-8137	..56.70
Polypak Seal B-1401Set (2)*	..30.50
Teflon Packing B-139930.50
Bottom Washer 2-822145.80

Model 68-5.75-15

Shaft 2-8129\$205.00
Top Packing Washer 2-8138	..56.70
Polypak Seal B-1402Set (2)*	..30.50
Teflon Packing B-140030.50
Bottom Washer 2-822245.80

Model 50-5.75-30

Shaft 2-8130\$205.00
Top Packing Washer 2-8139	..56.70
Polypak Seal B-1371Set (2)*	..30.50
Teflon Packing B-106630.50
Bottom Washer 2-541034.10

Model 37-5.75-60

Shaft 2-4861\$205.00
Top Packing Washer 2-5853	..56.70
Polypak Seal B-1373Set (2)*	..30.50
Teflon Packing B-777Set (6)	..30.50
Bottom Washer 2-411715.00

Model 31-5.75-75

Shaft 2-8749\$205.00
Top Packing Washer 2-8750	..56.70
Polypak Seal B-1418Set (2)	..30.60

Model 25-5.75-100

Shaft 2-9619\$428.00
Top Packing Washer 2-8765	..56.70
Polypak Seal B-1419Set (2)	..30.60

* Note: Polypak packing is supplied as standard and requires no bottom packing washer. When teflon packing is used, a bottom packing washer must be installed.

Valves Spare Part Kits

Taper Seal

Hand Valves/Check Valves

15-AF1-RK	\$ 67.40
Stem Assembly 202645	
Top Washer 200267	
Packing B00195	
Bottom Washer 200266	

15-15AF1-RK	\$ 136.00
--------------------	-----------

Stem Assembly 202645 (2)	
Top Washer 200267 (2)	
Packing B00195 (2)	
Bottom Washer 200266 (2)	

15-AF2-RK	\$ 67.60
------------------	----------

Stem Assembly 202645	
Top Washer 200267	
Packing B00195	
Bottom Washer 200266	

15-15AF2-RK	\$ 136.00
--------------------	-----------

Stem Assembly 202645 (2)	
Top Washer 200267 (2)	
Packing B00195 (2)	
Bottom Washer 200266 (2)	

10-AF4/6-RK	\$ 79.60
--------------------	----------

Stem Assembly 207461	
Top Washer 200154	
Packing B00181	
Bottom Washer 200156	

10-15AF4/6-RK	\$ 160.00
----------------------	-----------

Stem Assembly 207461 (2)	
Top Washer 200154 (2)	
Packing B00181 (2)	
Bottom Washer 200156 (2)	

15-41AF1/2-RK	\$ 34.20
----------------------	----------

Ball B00521	
Ball Support 207900	
Spring B00551	
Gasket B00552	

15-41AF1T/2T-RK	\$ 45.50
------------------------	----------

Poppet 202272	
O-Ring (Buna) B00159	
Spring B00551	
Gasket B00552	

10-41AF4/6-RK	\$ 34.20
----------------------	----------

Ball B00521	
Ball Support 207900	
Spring B00551	
Gasket B00552	

10-41AF4T/6T-RK	\$ 45.50
------------------------	----------

Poppet 202272	
O-Ring (Buna) B00159	
Spring B00551	
Gasket B00552	



Medium Pressure

Hand Valves

20-LF4/6-RK	\$ 76.40
Stem Assembly 207729 Top Washer 207731 Packing B01392 (2) Bottom Washer 207732	
20-LF4R/6R-RK	\$ 113.00
Stem Assembly 207729 Top Washer 207731 Packing B01392 (2) Bottom Washer 207732 Lens Ring 208432	
20-15LF4/6-RK	\$ 150.00
Stem Assembly 207729 (2) Top Washer 207731(2) Packing B01392 (4) Bottom Washer 207732 (2)	
20-LF9-RK	\$ 60.70
Stem Assembly 208278	
20-LF9-R-RK	\$ 103.00
Stem Assembly 208278 Lens Ring 200897	
20-15LF9-RK	\$ 122.00
Stem Assembly 208278 (2)	
20-LF12-RK	\$ 116.00
Stem Assembly 208679 Top Washer 208754 Packing 208740 (2) Bottom Washer 208755	
20-15LF12-RK	\$ 231.00
Lower Stem 208679 (2) Top Washer 208754 (2) Packing 208740 (4) Bottom Washer 208755 (2)	
20-12LF12-R-RK	\$ 161.00
Lower Stem 208679 Top Washer 208754 Packing 208740 (2) Bottom Washer 208755 Lens Ring 209279	
20-LF16-RK	\$ 150.00
Lower Stem 208685 Top Washer 208756 Packing 208741 (2) Bottom Washer 208757	
20-15LF16-RK	\$ 299.00
Lower Stem 208685 (2) Top Washer 208756 (2) Packing 208741 (4) Bottom Washer 208757 (2)	

20-12LF16-R-RK	\$ 206.00
Lower Stem 208685 Top Washer 208756 Packing 208741(2) Bottom Washer 208757 Lens Ring 209972	

Medium Pressure

Check Valves

20-41LF4/6-RK	\$ 34.20
Ball B00521 Ball Support 207900 Spring B00551 Gasket B00552	
20-41LF4T/6T-RK	\$ 45.50
Poppet 202272 O-Ring (Buna) B00159 Spring B00551 Gasket B00552	
20-41LF9-RK	\$ 62.30
Ball B00522 Ball Support 207901 Spring B00958 Gasket B00959	
20-41LF9T-RK	\$ 62.30
Poppet 204740 O-Ring (Buna) B00104 Spring B00958 Gasket B00959	
20-41LF12-RK	\$ 242.00
Cover 209401 Ball B01461 Spring B01439 Ball Support 209532	
20-41LF12-T-RK	\$ 280.00
Cover 209401 O-Ring B02003 Spring B01439 Poppet 209275	
20-41LF16-RK	\$ 238.00
Cover 209085-H1150 Ball B01470 Spring B01429 Ball Support 209554	
20-41LF16-T-RK	\$ 277.00
Cover 209085-H1150 O-Ring B01421 Spring B01429 Poppet 209086	

High Pressure

Hand Valves

30-HF2-RK	\$ 67.70
Stem Assembly 202645 Top Washer 200267 Packing B00195 Bottom Washer 200266	
30-15HF2-RK	\$ 136.00
Stem Assembly 202645 (2) Top Washer 200267 (2) Packing B00195 (2) Bottom Washer 200266 (2)	
30-HF4/6/9-RK	\$ 89.00
Stem Assembly 207462 Top Washer 200154 Packing B00181 Bottom Washer 200156 Bottom Spacer 200155	
30-HF4/6/9R-RK	\$ 126.00
Stem Assembly 207462 Top Washer 200154 Packing B00181 Bottom Washer 200156 Bottom Spacer 200155 Lens Ring 200753	
30-15HF4/6/9-RK	\$ 179.00
Stem Assembly 207462 (2) Top Washer 200154 (2) Packing B00181 (2) Bottom Washer 200156 (2) Bottom Spacer 200155 (2)	
60-HF2/4/6/9-RK	\$ 105.00
Stem Assembly 207463 Top Washer 200717 Packing Set 209689 Bottom Washer 200716	
60-HF2/4/6/9R-RK	\$ 141.00
Stem Assembly 207463 Top Washer 200717 Packing Set 209689 Bottom Washer 200716 Lens Ring 201238	
60-15HF2/4/6/9-RK	\$ 210.00
Stem Assembly 207463 (2) Top Washer 200717 (2) Packing Set 209689 (2) Bottom Washer 200716 (2)	

High Pressure

30,000 PSI Check Valves

30-41HF2/4/6/9T-R	\$ 28.80
Poppet 202272 O-Ring (Buna) B00159 Spring B00551 Gasket B00552	

High Pressure

60,000 PSI Check Valves

60-41HF2/4/6/9-RK \$ 28.80

Ball B00516
Ball Support 207900
Spring B00551

60-41HF4/6/9T-RK \$ 45.50

Poppet 202272
O-Ring (Buna) B00159
Spring B00551
Gasket B00310

Ultra High Pressure

Manual Valves

100-XF4/150-XF6-RK \$ 153.00

Stem Assembly 210127
Top Washer 402485C
Packing 208691 (3)
Bottom Washer 200716

100-15XF4-RK \$ 304.00

Stem Assembly 210127 (2)
Top Washer 402485C (2)
Packing 208691 (6)
Bottom Washer 200716 (2)

150-15XF6-RK \$ 304.00

Stem Assembly 210127 (2)
Top Washer 402485C (2)
Packing 208691 (6)
Bottom Washer 200716 (2)

100-12XF4-R-RK \$ 187.00

Stem Assembly 210127
Top Washer 402485C
Packing 208691 (3)
Bottom Washer 200716
Lens Ring 205434

150-12XF6-R-RK \$ 187.00

Stem Assembly 210127
Top Washer 402485C
Packing 208691 (3)
Bottom Washer 200716
Lens Ring 205434

Ball Valves

Trunion Ball Valves .187 2-Way

20-71BV-RK \$ 147.00

O-Ring B01117 (3)
Back-up Ring B01578
Ball Seat Assembly 210233 (2)
Packing Washer 210234 (2)
Back-up Washer 210286 (4)
Trunion 210598
O-Ring B00823 (2)
O-Ring B01032

Trunion Ball Valves .375 2-Way

15-74BV-RK \$ 190.00

O-Ring B01117
Back-up Ring B01578
Ball Seat Assembly 210220 (2)
Packing Washer 210223 (2)
Back-up Washer 210288 (4)
Trunion 210599
O-Ring B01584 (2)
O-Ring B01583
O-Ring B00809 (2)

Trunion Ball Valves .500 2-Way

10-80BV-RK \$ 313.00

O-Ring B01101
Back-up Ring B01790
Ball Seat Assembly 211096 (2)
Packing Washer 211103 (2)
Back-up Washer 211105 (4)
Trunion 211097
O-Ring B01893 (3)
O-Ring B01340 (2)

Trunion Ball Valves .187 3-Way 90°

20-73BV-RK \$ 147.00

O-Ring B01117 (3)
Back-up Ring B01578
Ball Seat Assembly 210233 (2)
Packing Washer 210234 (2)
Back-up Washer 210286 (4)
Trunion 210360
O-Ring B00823 (2)
O-Ring B01032

Trunion Ball Valves .375 3-Way 90°

15-76BV-RK \$ 190.00

O-Ring B01117
Back-up Ring B01578
Ball Seat Assembly 210220 (2)
Packing Washer 210223 (2)
Back-up Washer 210288 (4)
Trunion 210359
O-Ring B01584 (2)
O-Ring B01583
O-Ring B00809 (2)

Trunion Ball Valves .500 3-Way 90°

10-82BV-RK \$ 333.00

O-Ring B01101
Back-up Ring B01790
Ball Seat Assembly 211096 (2)
Packing Washer 211103 (2)
Back-up Washer 211105 (4)
Trunion 211676
O-Ring B01893 (3)
O-Ring B01340 (2)

Trunion Ball Valves .187 3-Way

180°

20-72BV-RK \$ 147.00

O-Ring B01117 (3)
Back-up Ring B01578
Ball Seat Assembly 210233 (2)
Packing Washer 210234 (2)
Back-up Washer 210286 (4)
Trunion 210235
O-Ring B00823 (2)
O-Ring B01032

Trunion Ball Valves .375 3-Way

180°

15-75BV-RK \$ 190.00

O-Ring B01117
Back-up Ring B01578
Ball Seat Assembly 210220 (2)
Packing Washer 210223 (2)
Back-up Washer 210288 (4)
Trunion 210224
O-Ring B01584 (2)
O-Ring B01583
O-Ring B00809 (2)

Trunion Ball Valves .500 3-Way

180°

10-81BV-RK \$ 333.00

O-Ring B01101
Back-up Ring B01790
Ball Seat Assembly 211096 (2)
Packing Washer 211103 (2)
Back-up Washer 211105 (4)
Trunion 211675
O-Ring B01893 (3)
O-Ring B01340 (2)

Free-Floating Ball Valves

10/15/2016BV-RK \$ 118.00

O-Ring B00821 (2)
Stem 208644
Top Packing Washer 207731-AM45
Packing B01392 (2)
Bottom Packing Washer 207732
Bearing Washer 208646
Ball 208647
Ball Seat 208648 (2)

Relief Valves/Factory Set

402633-03-RK \$ 95.00

O-Ring B00821
Stem Seat 208554
Seal Ring 208547

402633-10-RK \$ 95.00

O-Ring B00821
Stem Seat 208554
Seal Ring 208547



402633-20-RK \$ 95.00
O-Ring B00821
Stem Seat 208554
Seal Ring 208537

402633-30-RK \$ 95.00
O-Ring B00821
Stem Seat 208554
Seal Ring 208548

402633-45-RK \$ 95.00
O-Ring B00821
Stem Seat 208554
Seal Ring 210857

402633-60-RK \$ 95.00
O-Ring B00821
Stem Seat 208554
Seal Ring 210858

**Relief Valves/
Field Adjustable**

HIP10RV-RK \$ 63.00
O-Ring B01635
Nylon Seat 210368
Spring B01622
Washer 210365
O-Ring B01619
Packing 210451
Washer 210450

HIP20RV-RK \$ 63.00
O-Ring B01635
Nylon Seat 210368
Spring B01622
Washer 210365
O-Ring B01619
Packing 210451
Washer 210450

**MINI HIPPO
Air Operated Valves**

MH-AF2-RK \$ 88.40
Stem 209426
Top Washer 200717
Packing B000195
Bottom Washer 200716

MH-AF4/6-RK \$ 88.40
Stem 207624
Top Washer 200154
Packing B000181
Bottom Washer 200156

MH-HF4/6/9-RK \$ 88.40
Stem 207622
Top Washer 200154
Packing B000181
Bottom Washer 200156
Bottom Spacer 200155

**HIPCO Air Operated
Valves**

HIPCO-AF4/6-RK \$ 105.00
Stem 207624
Top Washer 200154
Packing B000181
Bottom Washer 200156
Diaphragm B01356

HIPCO-LF4/6-RK \$ 116.00
Stem 208215
Top Washer 207731
Packing B01392 (2)
Bottom Washer 207732
Diaphragm B01356

HIPCO-LF4R/6R-RK \$ 147.00
Stem 208215
Top Washer 207731
Packing B01392 (2)
Bottom Washer 207732
Diaphragm B01356
Lens Ring 208432

HIPCO-LF9-RK \$ 88.90
Lower Stem 207467
Stem Pin 207983
Top Washer 207738
Packing 207341 (2)
Bottom Washer 207732
Diaphragm B01356

HIPCO-LF9R-RK \$ 120.00
Lower Stem 207467
Stem Pin 207983
Top Washer 207738
Packing Set 207341 (2)
Bottom Washer 207342
Diaphragm B01356
Lens Ring 200897

HIPCO-30-RK \$ 109.00
Stem 207622
Top Washer 200154
Packing B00181
Bottom Washer 200156
Bottom Spacer 200155
Diaphragm B01356

HIPCO-30R-RK \$ 140.00
Stem 207622
Top Washer 200154
Packing B00181
Bottom Washer 200156
Bottom Spacer 200155
Diaphragm B01356
Lens Ring 200753

HIPCO-60-RK \$ 122.00
Stem 209426
Top Washer 200717
Packing Set 209689
Bottom Washer 200716
Diaphragm B01356

HIPCO-60R-RK \$ 153.00
Stem 209426
Top Washer 200717
Packing Set 209689
Bottom Washer 200716
Diaphragm B01356
Lens Ring 201238

**HIPPO Air Operated
Valves (MPO & HPO)**

HIPPO-AF4/6-RK \$ 88.40
Stem 212033
Top Washer 200154
Packing B00181
Bottom Washer 200156

HIPPO-LF4/6-RK \$ 102.00
Stem 211536
Top Washer 207731
Packing B01392 (2)
Bottom Washer 207732

HIPPO-LF4R/6R-RK \$ 133.00
Stem 211536
Top Washer 207731
Packing B01392 (2)
Bottom Washer 207732
Lens Ring 208432

HIPPO-LF9-RK \$ 73.10
Lower Stem 207467
Stem Pin 207983
Top Washer 207738
Packing Set 207341 (2)
Bottom Washer 207342

HIPPO-LF9R-RK \$ 104.00
Lower Stem 207467
Stem Pin 207983
Top Washer 207738
Packing Set 207341 (2)
Bottom Washer 207342
Lens Ring 200897

HIPPO-30-RK \$ 93.10
Stem 211527
Top Washer 200154
Packing B00181
Bottom Washer 200156
Bottom Spacer 200155

HIPPO-30R-RK \$ 124.00
Stem 211527
Top Washer 200154
Packing B00181
Bottom Washer 200156
Bottom Spacer 200155
Lens Ring 200753

HIPPO-60-RK \$ 146.00
Stem 211539
Top Washer 200717
Packing Set 209689
Bottom Washer 200716

HIPPO-60R-RK \$ 177.00

Stem 211539
Top Washer 200717
Packing Set 209689
Bottom Washer 200716
Lens Ring 201238

NPT Hand Valves

10-NFA/B/C-RK \$ 83.60

Stem Assembly 207462
Top Washer 200154
Packing B00181
Bottom Washer 200156
Bottom Spacer 200155

10-NFD-RK \$ 129.00

Stem 203976
Top Washer 203524
Packing B00185 (2)
Bottom Washer 201764

15FNFA/B-RK \$ 71.80

Stem 207729
Top Washer 207731
Packing B01392 (2)
Bottom Washer 207732

15FNFC/D-RK \$ 57.00

Stem Assembly 208278

10FNFF/H-RK \$ 141.00

Lower Stem 208685
Top Washer 208756
Packing 208741 (2)
Bottom Washer 208757

HIPCO NPT Air Operated Valves

HIPCO10NFA-RK \$ 105.00

Stem 207622
Top Washer 200154
Packing B00181
Bottom Washer 200156
Bottom Spacer B01356

HIPCO10NFB-RK \$ 105.00

Stem 207622
Top Washer 200154
Packing B00181
Bottom Washer 200156
Bottom Spacer B01356

HIPCO10NFC-RK \$ 105.00

Stem 207622
Top Washer 200154
Packing B00181
Bottom Washer 200156
Diaphragm B01356

HIPCO15NFA/B-RK \$ 116.00

Stem 208215
Top Washer 207731
Packing B01392 (2)
Bottom Washer 207732
Diaphragm B01356

HIPCO15FNFC/D-RK \$ 88.90

Lower Stem 207467
Stem Pin 207983
Top Washer 207738
Packing Set 207341 (2)
Bottom Washer 207342
Diaphragm B01356

HIPPO NPT Air Operated Valves (MPO & HPO)

HIPPO-15FNFA/B-RK \$ 102.00

Stem 211536
Top Washer 207731
Packing B01392 (2)
Bottom Washer 207732

HIPPO-15FNFC/D-RK \$ 73.10

Lower Stem 207467
Stem Pin 207983
Top Washer 207738
Packing Set 207341 (2)
Bottom Washer 207342



High Pressure Equipment Company

P.O. Box 8248, 1222 Linden Avenue
Erie, Pennsylvania 16505 U.S.A.
Phone: (814) 838-2028 • 1-800-289-7447
Fax: (814) 838-6075
E-Mail: sales@highpressure.com
Web Site: www.highpressure.com

High Pressure Equipment Company
reserves the right to alter the prices provided
in this publication without prior notice.

© 2010+A38 High Pressure Equipment Company
Domestic price list